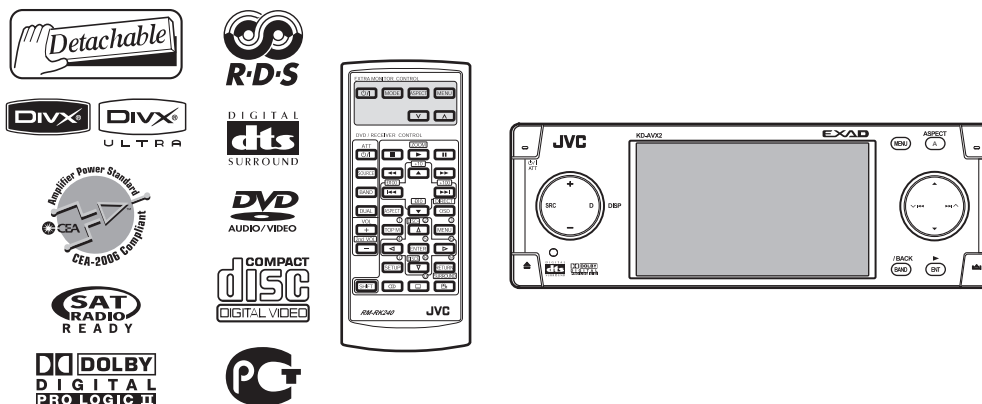


JVC

SERVICE MANUAL

DVD/CD RECEIVER

KD-AVX2J, KD-AVX2E, KD-AVX2EU, KD-AVX2EE, KD-AVX2U, KD-AVX2UN, KD-AVX2A



Lead free solder used in the board (material : Sn-Ag-Cu, melting point : 219 Centigrade)

TABLE OF CONTENTS

1	PRECAUTIONS	1-4
2	SPECIFIC SERVICE INSTRUCTIONS	1-7
3	DISASSEMBLY	1-8
4	ADJUSTMENT	1-23
5	TROUBLESHOOTING	1-33

SPECIFICATION


AUDIO AMPLIFIER SECTION			
Power Output	Only the United States		20 W RMS × 4 Channels at 4 Ω and [\leq or =] 1% THD+N
Signal to Noise Ratio	Only the United States		80 dBA (reference: 1 W into 4 Ω)
	In countries other than the United States		70 dB
Maximum Power Output	In other countries	Front	50 W per channel
		Rear	50 W per channel
Continuous Power Output (RMS)	In other countries	Front	20 W per channel into 4 Ω, 40 Hz to 20 000 Hz at no more than 0.8% total harmonic distortion.
		Rear	20 W per channel into 4 Ω, 40 Hz to 20 000 Hz at no more than 0.8% total harmonic distortion.
Load Impedance	4 Ω (4 Ω to 8 Ω allowance)		
Equalizer Control Range	Frequencies	60 Hz, 150 Hz, 400 Hz, 1 kHz, 2.5 kHz, 6.3 kHz, 15 kHz	
Level	±10 dB		
Line-In Level/Impedance	1.5 V/20 kΩ load		
Line-Out Level/Impedance	Only the United States and Southern Europe		2.5 V/20 kΩ load (full scale)
	In other countries		2.5 V/20 kΩ load (full scale)
Output Impedance	Only the United States and Southern Europe		1 kΩ
	In other countries		2.5 V/20 kΩ load (full scale)
Subwoofer-Out Level/Impedance	Only the United States and Southern Europe		2.0 V/20 kΩ load (full scale)
	In other countries		2.5 V/20 kΩ load (full scale)
Color System	Only the United States		NTSC
	In Europe		PAL
	In other countries		NTSC/PAL
Video Input (composite)	1 Vp-p/75 Ω		
Video Output (composite)	1 Vp-p/75 Ω		
Other Terminals	Only the United States and Europe		2nd AUDIO OUT, CD changer, Steering wheel remote input (OE REMOTE)
	In other countries		2nd AUDIO OUT, CD changer
TUNER SECTION			
Frequency Range	FM	Only the United States	87.5 MHz to 107.9 MHz (with channel interval set to 100 kHz or 200 kHz)
		Only the United States	87.5 MHz to 108.0 MHz (with channel interval set to 50 kHz)
		In other countries	87.5 MHz to 108.0 MHz
	AM	Only the United States	530 kHz to 1 710 kHz (with channel interval set to 10 kHz)
		Only the United States	531 kHz to 1 602 kHz (with channel interval set to 9 kHz)
		In Europe	(MW) 522 kHz to 1 620 kHz
		In Europe	(LW) 144 kHz to 279 kHz
		In other countries	531 kHz to 1 602 kHz
FM Tuner	Usable Sensitivity		11.3 dBf (1.0 μV/75 Ω)
	50 dB Quieting Sensitivity		16.3 dBf (1.8 μV/75 Ω)
	Alternate Channel Selectivity (400 kHz)		65 dB
	Frequency Response		40 Hz to 15 000 Hz
	Stereo Separation		35 dB
	Capture Ratio		1.5 dB
AM Tuner (In other countries)	Sensitivity		20 μV
	Selectivity		35 dB
MW Tuner (In Europe)	Sensitivity		20 μV
	Selectivity		35 dB
LW Tuner (In Europe)	Sensitivity		50 μV

DVD/CD PLAYER SECTION		
Signal Detection System		Non-contact optical pickup (semiconductor laser)
Number of Channels		2 channels (stereo)
Frequency Response	DVD fs=48 kHz	16 Hz to 22 000 Hz
	DVD fs=192 kHz	16 Hz to 88 000 Hz
	VCD, CD	16 Hz to 20 000 Hz
Dynamic Range		93 dB
Signal-to-Noise Ratio		95 dB
Wow and Flutter		Less than measurable limit
MP3	Max. Bit Rate	320 kbps
WMA	Max. Bit Rate	320 kbps
MONITOR SECTION		
Screen		3.5-inch wide liquid crystal panel
Number of Pixels		224 640 pixels
Drive Method		TFT (Thin Film Transistor) active matrix format
Color system	Only the United States	NTSC
	In Europe	PAL
	In other countries	NTSC/PAL
GENERAL		
Power Requirement	Operating Voltage	DC 14.4 V (11 V to 16 V allowance)
Grounding System		Negative ground
Allowable Operating Temperature		0°C to +40°C (32°F to 104°F)
Dimensions (W × H × D)	Installation Size (approx.)	182 mm × 52 mm × 160 mm (7-3/16" × 2-1/16" × 6-5/16")
	Panel Size (approx.)	188 mm × 58 mm × 12 mm (7-7/16" × 2-5/16" × 1/2")
Mass (approx.)		1.9 kg (4.2 lbs) (excluding accessories)

Design and specifications are subject to change without notice.

SECTION 1 PRECAUTIONS

1.1 Safety Precautions

 **CAUTION** Burrs formed during molding may be left over on some parts of the chassis. Therefore, pay attention to such burrs in the case of performing repair of this system.

 **CAUTION** Please use enough caution not to see the beam directly or touch it in case of an adjustment or operation check.

1.2 Preventing static electricity

Electrostatic discharge (ESD), which occurs when static electricity stored in the body, fabric, etc. is discharged, can destroy the laser diode in the traverse unit (optical pickup). Take care to prevent this when performing repairs.

1.2.1 Grounding to prevent damage by static electricity

Static electricity in the work area can destroy the optical pickup (laser diode) in devices such as laser products.

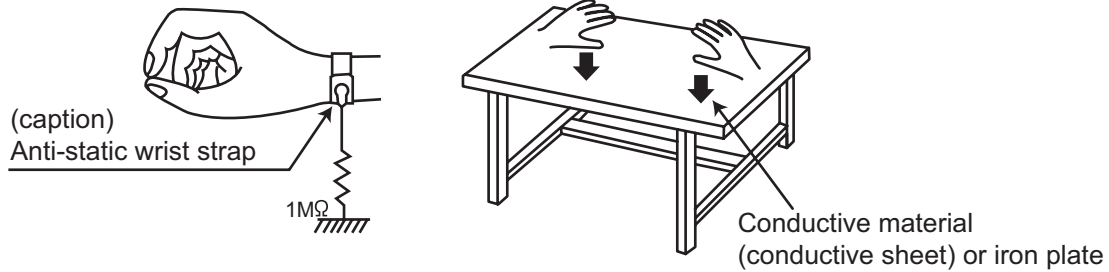
Be careful to use proper grounding in the area where repairs are being performed.

(1) Ground the workbench

Ground the workbench by laying conductive material (such as a conductive sheet) or an iron plate over it before placing the traverse unit (optical pickup) on it.

(2) Ground yourself

Use an anti-static wrist strap to release any static electricity built up in your body.



(3) Handling the optical pickup

- In order to maintain quality during transport and before installation, both sides of the laser diode on the replacement optical pickup are shorted. After replacement, return the shorted parts to their original condition. (Refer to the text.)
- Do not use a tester to check the condition of the laser diode in the optical pickup. The tester's internal power source can easily destroy the laser diode.

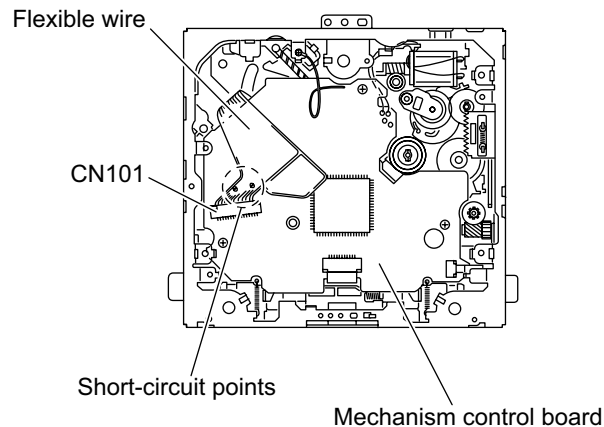
1.3 Handling the traverse unit (optical pickup)

- (1) Do not subject the traverse unit (optical pickup) to strong shocks, as it is a sensitive, complex unit.
- (2) Cut off the shorted part of the flexible cable using nippers, etc. after replacing the optical pickup. For specific details, refer to the replacement procedure in the text. Remove the anti-static pin when replacing the traverse unit. Be careful not to take too long a time when attaching it to the connector.
- (3) Handle the flexible cable carefully as it may break when subjected to strong force.
- (4) It is not possible to adjust the semi-fixed resistor that adjusts the laser power. Do not turn it.

1.4 Attention when traverse unit is decomposed

***Please refer to "Disassembly method" in the text for the pickup unit.**

- Apply solder to the short land before the flexible wire is disconnected from the connector on the pickup unit. (If the flexible wire is disconnected without applying solder, the pickup may be destroyed by static electricity.)
- In the assembly, be sure to remove solder from the short land after connecting the flexible wire.



1.5 Important for laser products

1.CLASS 1 LASER PRODUCT

2.DANGER : Invisible laser radiation when open and interlock failed or defeated. Avoid direct exposure to beam.

3.CAUTION : There are no serviceable parts inside the Laser Unit. Do not disassemble the Laser Unit. Replace the complete Laser Unit if it malfunctions.

4.CAUTION : The CD,MD and DVD player uses invisible laser radiation and is equipped with safety switches which prevent emission of radiation when the drawer is open and the safety interlocks have failed or are defeated. It is dangerous to defeat the safety switches.

5.CAUTION : If safety switches malfunction, the laser is able to function.

6.CAUTION : Use of controls, adjustments or performance of procedures other than those specified here in may result in hazardous radiation exposure.



CAUTION Please use enough caution not to see the beam directly or touch it in case of an adjustment or operation check.

CAUTION : Visible and invisible laser radiation when open and interlock failed or defeated.

AVOID DIRECT EXPOSURE TO BEAM.

ADVARSEL : Synlig og usynlig laserstråling når maskinen er åben eller interlocken fejler. Undgå direkte eksponering til stråling.

VARNING : Synlig och osynlig laserstråling när den öppnas och spärren är urkopplad. Betrakta ej strålen.

VARO : Avattaessa ja suojalukitus ohitettuna tai viallisena olet alttiina näkyvälle ja näkymättömälle lasersäteilylle. Vältä säteen kohdistumista suoraan itseesi.

REPRODUCTION AND POSITION OF LABELS

WARNING LABEL

CLASS 1
LASER PRODUCT

CAUTION : Visible and Invisible laser radiation when open and interlock failed or defeated. AVOID DIRECT EXPOSURE TO BEAM. (e)

ADVARSEL : Synlig og usynlig laserstråling når maskinen er åben eller interlocken fejler. Undgå direkte eksponering til stråling. (d)

VARNING : Synlig och osynlig laserstråling när den öppnas och spärren är urkopplad. Betrakta ej strålen. (s)

VARO : Avattaessa ja suojalukitus ohitettuna tai viallisena olet alttiina näkyvälle ja näkymättömälle lasersäteilylle. Vältä säteen kohdistumista suoraan itseesi. (f)

SECTION 2
SPECIFIC SERVICE INSTRUCTIONS

This service manual does not describe SPECIFIC SERVICE INSTRUCTIONS.

SECTION 3 DISASSEMBLY

3.1 Main body section

3.1.1 Removing the panel assembly (See Fig.1)

- (1) Push the button(detach) in the lower right part of the panel assembly.
- (2) Remove the panel assembly.

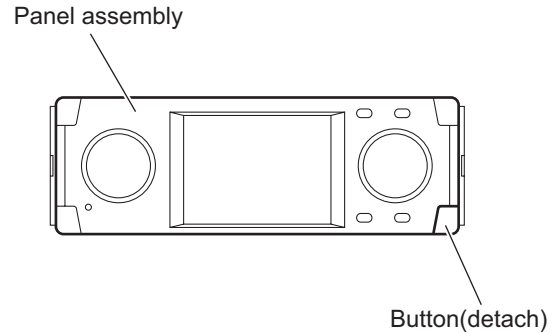


Fig.1

3.1.2 Removing the side heat sink (See Fig.2)

Reference:

- Remove the panel assembly as required.
- (1) From the left side of the main body, remove the two screws **A** and two screws **B** attaching the side heat sink.
 - (2) Remove the side heat sink from the main body.

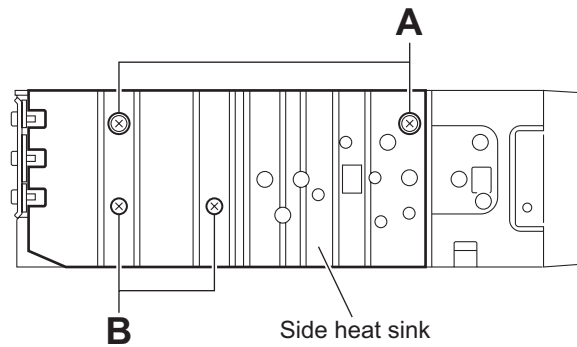


Fig.2

3.1.3 Removing the top chassis assembly (See Figs.3 to 6)

- Remove the panel assembly and side heat sink.
 - From the top side of the main body, remove the two screws **C** attaching the top chassis assembly. (See Fig.3.)
 - From the both sides of the main body, remove the two screws **D** attaching the top chassis assembly. (See Figs.4 and 5.)
 - From the back side of the main body, remove the four screws **E** attaching the top chassis assembly. (See Fig.6.)
 - Lift the top chassis assembly in the direction of the arrow. (See Fig.6.)
 - Take out the top chassis assembly from the main body.

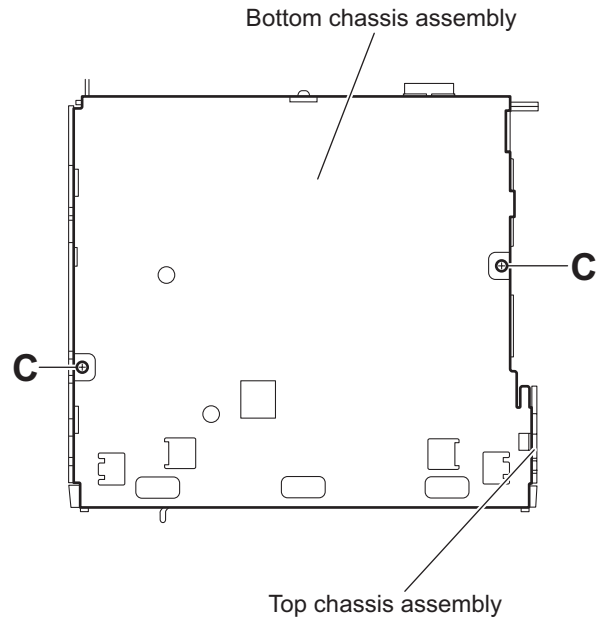


Fig.3

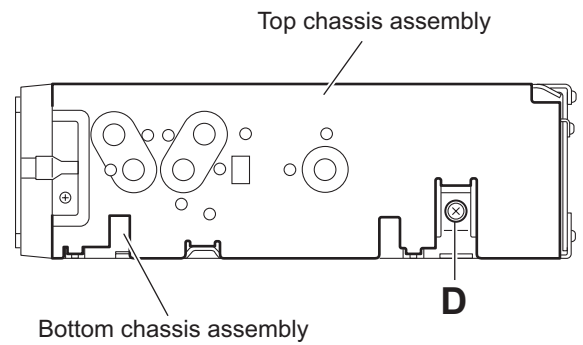


Fig.4

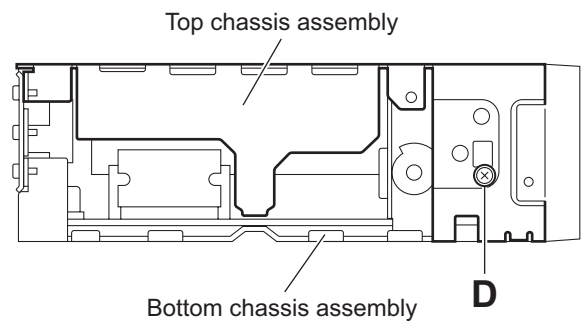


Fig.5

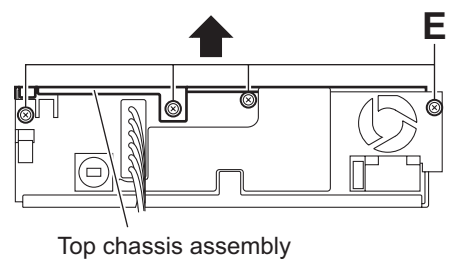


Fig.6

3.1.4 Removing the front chassis assembly (See Fig.7 and 8)

- Remove the panel assembly, side heat sink and top chassis assembly.
 - From the both sides of the top chassis assembly, remove the two screws **E** attaching the front chassis assembly. (See Fig.7 and 8.)
 - Remove the front chassis assembly from the top chassis assembly.

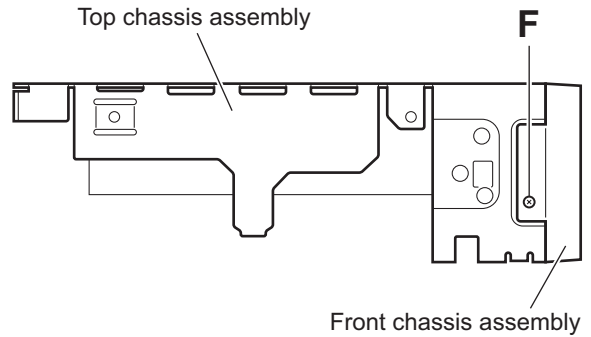


Fig.7

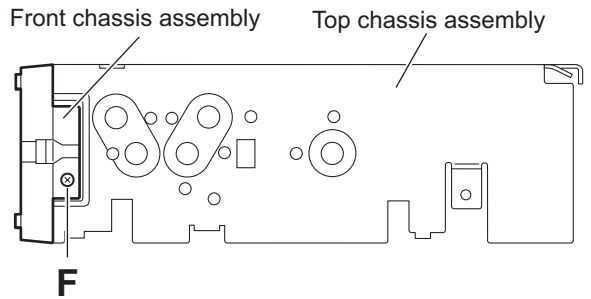


Fig.8

3.1.5 Removing the DVD mechanism assembly (See Figs.9)

- Remove the panel assembly, side heat sink and top chassis assembly.

Reference:

Remove the front chassis assembly as required.

- From the inside of the top chassis assembly, remove the three screws **G** attaching the DVD mechanism assembly and take out the DVD mechanism assembly.
- From the side of the DVD mechanism assembly, remove the double-stick tape fixing the insulator.
- Remove the insulator from the top chassis assembly.

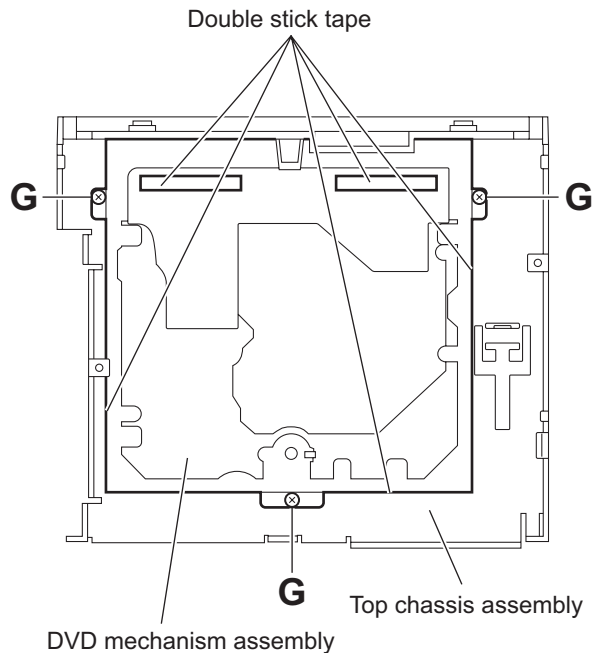


Fig.9

3.1.6 Removing the connection control board (See Fig.10)

- Remove the panel assembly, side heat sink, top chassis assembly and DVD mechanism assembly.
 - From the top side of the DVD mechanism assembly, release the lock of the connector [CN965](#) on the connection control board and disconnect the card wire.
 - Remove the two screws **H** attaching the connection control board on the DVD mechanism assembly and remove the connection control board.

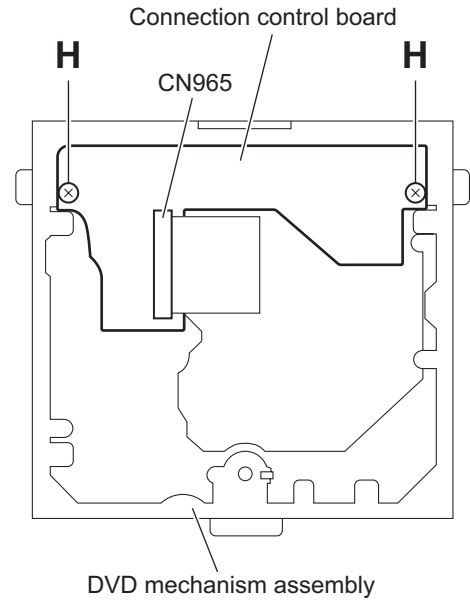


Fig.10

3.1.7 Removing the rear bracket (See Fig.11 to 13)

- Remove the panel assembly, side heat sink and top chassis assembly.
 - Remove the screw **J**, screw **J'**, two screws **K** and screw **M** attaching the rear bracket. (See Fig. 11.)

Reference:

When attaching the screw **J'**, attach the wire holder with it as before.

- Remove the screw **N** attaching the wire holder. (See Fig.11.)
- Release the lock of the connector ([CN301](#), [CN311](#), [CN361](#), [CN861](#), [CN871](#), [CN931](#)) on the main board in an upward direction. (See Fig.12.)
- Remove the car cable from the rear bracket. (See Fig.12.)

Note:

When attaching the car cable, do not touch the cable to X31, IC31, TU1 and IC701 then pushing down all the cable to main board side by wire clamp. (See Fig.13.)

- Take out the rear bracket from the bottom chassis assembly.

3.1.8 Removing the main board (See Figs.12)

- Remove the panel assembly, side heat sink, top chassis assembly and rear bracket.
 - Release the lock of the connector [CN962](#) on the main board in an upward direction and disconnect the flexible wire.
 - Release the lock of the connector ([CN881](#), [CN891](#)) and disconnect the card wire.
 - Remove the two screws **P** attaching the main board to the bottom chassis assembly.
 - Take out the main board from the bottom chassis assembly.

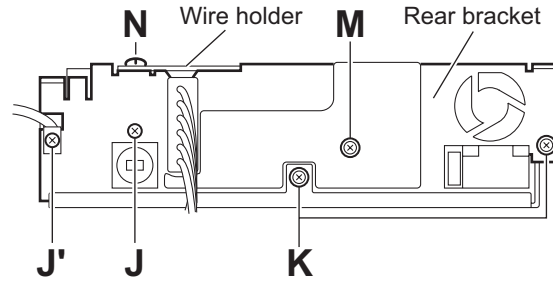


Fig.11

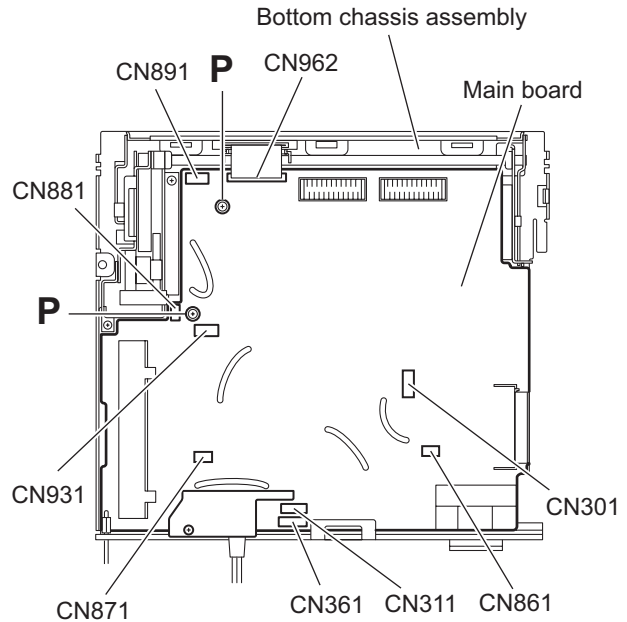


Fig.12

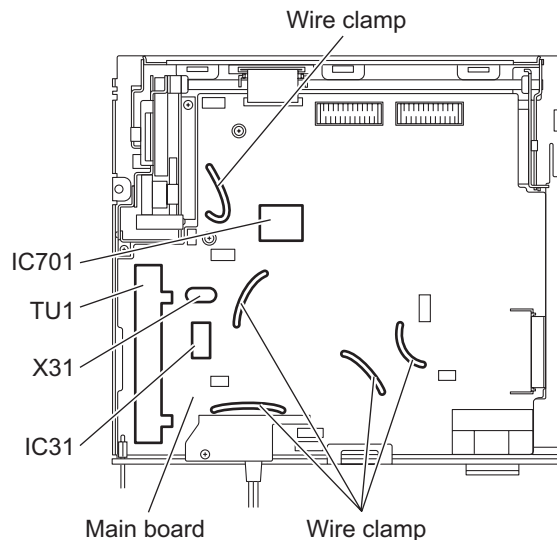


Fig.13

3.1.9 Removing the front door mechanism assembly
(See Fig.14)

- Remove the front panel assembly, side heat sink, top chassis assembly main board and rear bracket.
- (1) From the top side of the bottom chassis assembly, remove the screw **Q** attaching the FPC guide to the bottom chassis.
- (2) Remove the five screws **R** attaching the front door mechanism assembly to the bottom chassis.

Reference:

When attaching the screws **Q** and **R**, apply a locking agent them.

- (3) Take out the front door mechanism assembly from the bottom chassis.

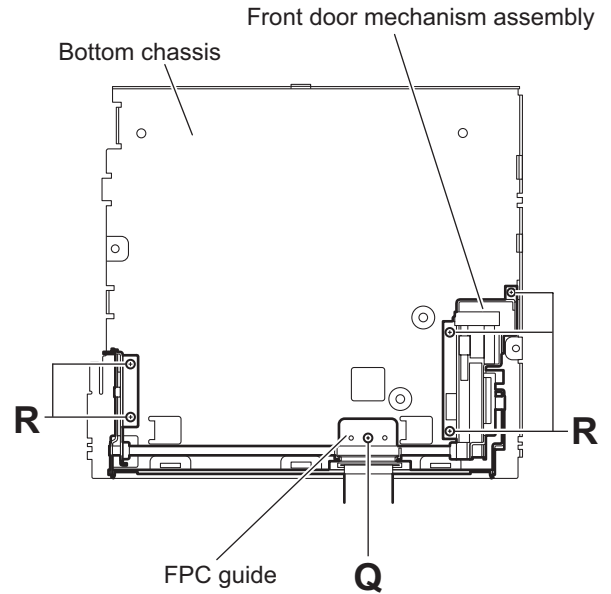


Fig.14

3.1.10 Removing the panel A control board and panel panel B control board
(See Figs.15 and 16)

- Remove the panel assembly.
- (1) From the back side of the panel assembly, remove the six screws **S** attaching the rear cover to the panel assembly. (See Fig.15.)
- (2) From the inside of the rear cover, release the lock of the connector [CN583](#) on the panel A control board and disconnect the card wire. (See Fig.16.)
- (3) Remove the three screws **T** attaching the panel B control board and take out the panel B control board from the rear cover. (See Fig.16.)

Note:

Do not lose the compression spring when taking out the panel A control board. (See Fig.16.)

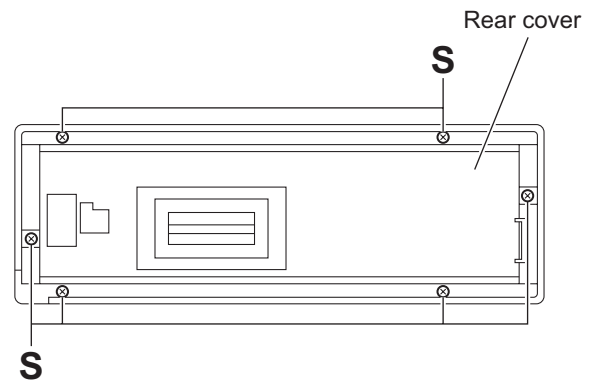


Fig.15

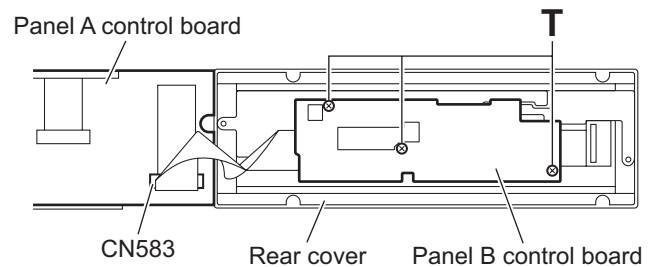


Fig.16

3.2 DVD mechanism assembly

3.2.1 Removing the mechanism control board (See Fig.1)

Caution:

Before disconnecting the flexible wire extending from the DVD pickup, solder the short-circuit point on the flexible wire using a grounding soldering iron. If you do not follow this instruction, the DVD pickup may be damaged.

- (1) Turn over the body, and solder the short-circuit points on the flexible wire extending from the DVD pickup.
- (2) Disconnect the flexible wire from connector [CN101](#) on the mechanism control board.
- (3) Disconnect the card wire from connector [CN201](#) on the mechanism control board.
- (4) Disconnect the flexible wire from connector [CN202](#) on the mechanism control board.
- (5) Unsolder two soldered points **a** on the mechanism control board and remove the wire extending from the feed motor.
- (6) Remove the screw **A** attaching the lug wire.
- (7) Remove the two screws **B** and screw **C** attaching the mechanism control board.

Caution:

- As the flexible wire to be connected to [CN101](#), make sure to attach it to the mechanism control board using a double tape.
- After reassembling, unsolder the short-circuit points.

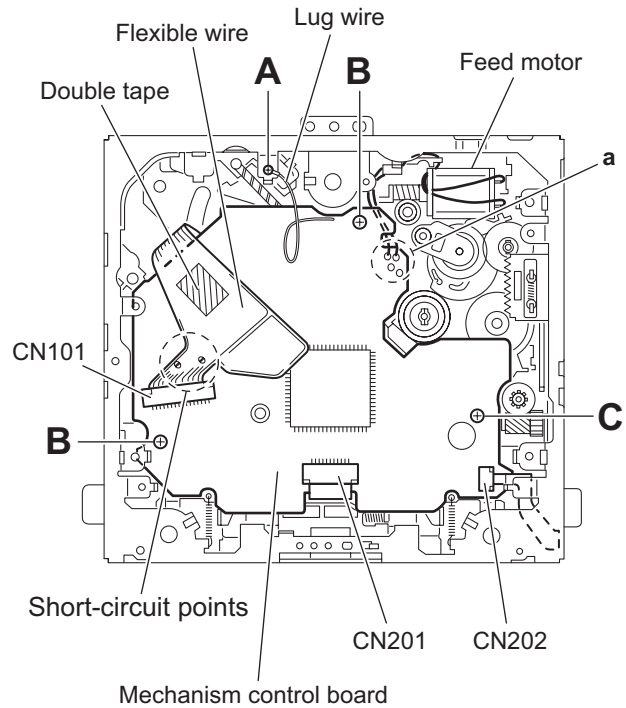


Fig.1

3.2.2 Removing the top cover

(See Fig.2)

- (1) Remove the two screws **D** attaching the top cover on the back of the body.
- (2) Remove the top cover upward.

Reference:

When reassembling, set part **b** of the top cover under the bending part **c** of the chassis frame.

3.2.3 Removing the mechanism section

(See Fig.2 to 4)

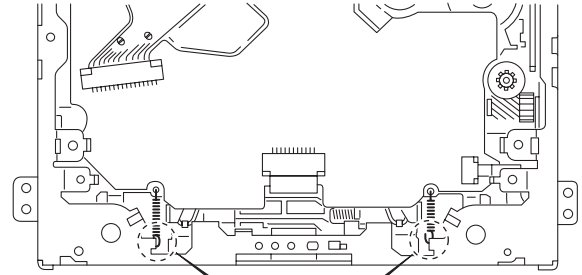
- Remove the top cover.
 - (1) From the bottom of the body, remove the screw **E** attaching the lug wire. (See Fig.2.)
 - (2) Remove the two screws **F** attaching the right and left stoppers on the front side. (See Fig.2.)
 - (3) Remove the two floating springs on the bottom of the body. (See Fig.3.)
 - (4) Move the mechanism section upward and remove from the chassis frame.

The three damper springs come off from the dampers.

 (See Fig.4.)

Caution:

- When reassembling, reattach the damper spring to the damper respectively and insert the three shafts on the bottom of the mechanism to the dampers.
- Before inserting the shaft to the dampers, apply IPA to the hole of damper.



Floating spring

Fig.3

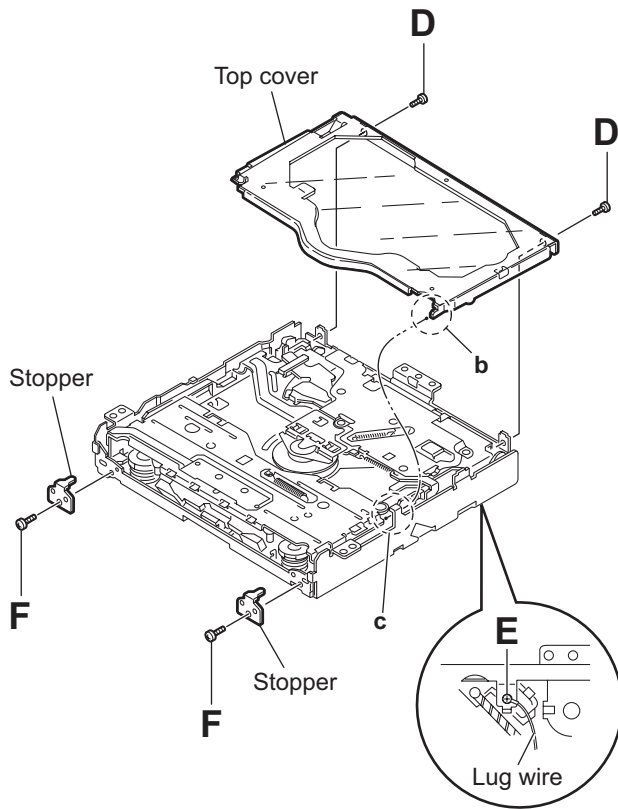


Fig.2

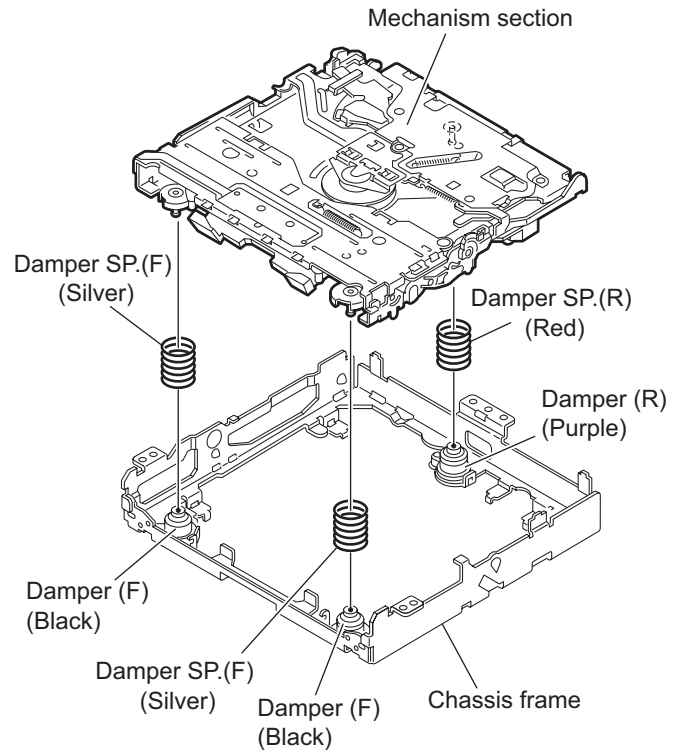


Fig.4

3.2.4 Removing the clamper unit (See Fig.5 to 7)

- Remove the top cover and the mechanism section.
 - Remove the clamper2 spring on the bottom of the mechanism section. (See Figs.5.and 6.)
 - Release the part **d** of the clamper spring from the bending part of the chassis base assembly. (See Fig.7.)
 - Move the clamper unit in the direction of the arrow and turn. Release the two joints **e** and **f**, then remove the clamper unit upward. (See Fig.6.)

3.2.5 Reattaching the clamper unit (See Fig.5 to 9)

- Attach the clamper spring to the clamper unit. (See Fig.8.)
- Move the clamper unit to set the side joints **e** and **f** to each boss of the chassis base assembly. Make sure that part **g** is inserted to the notch of the chassis base assembly. (See Figs.5 and 9.)
- Move the part **d** of the clamper spring to the outside of the bending part of the chassis base assembly. (See Fig.7.)
- Attach the clamper2 spring to the chassis base assembly. (See Figs.5 and 6.)

Caution:

When reattaching, temporarily hook the end of the clamper spring as shown in the figure to make the work easy. (See Fig.8.)

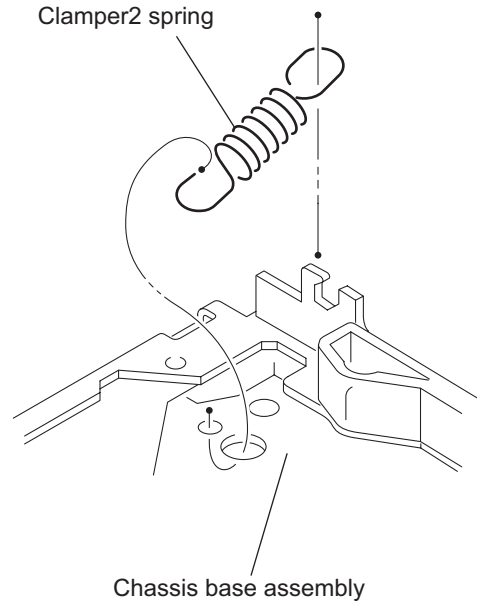


Fig.6

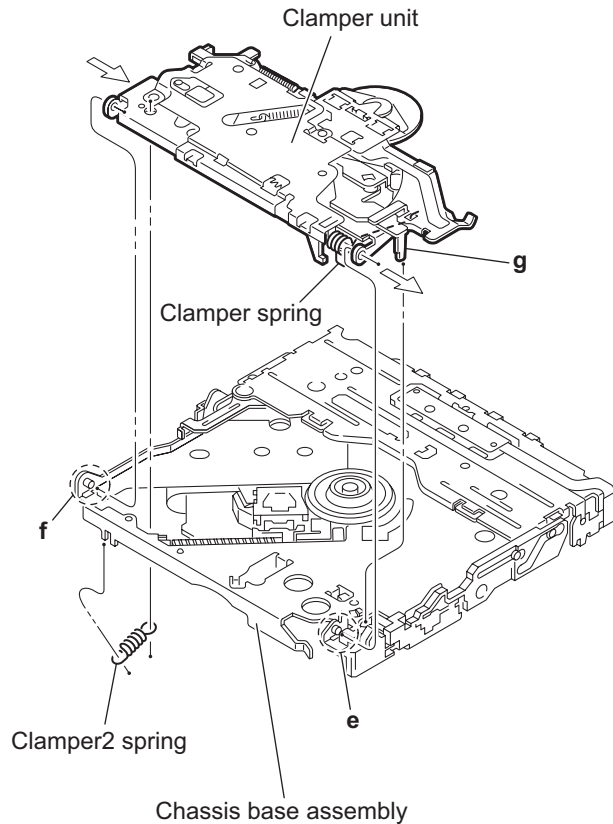


Fig.5

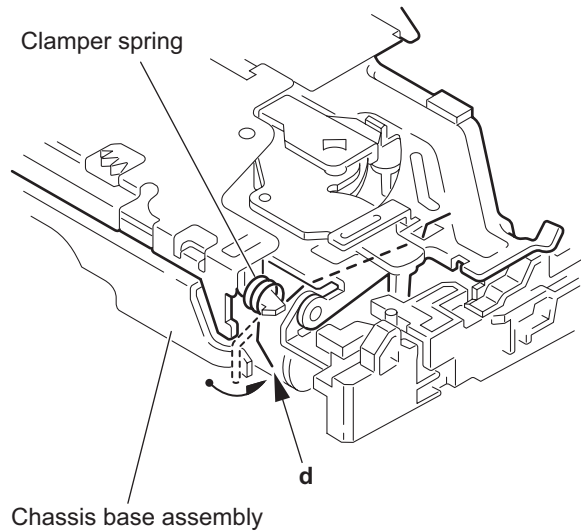


Fig.7

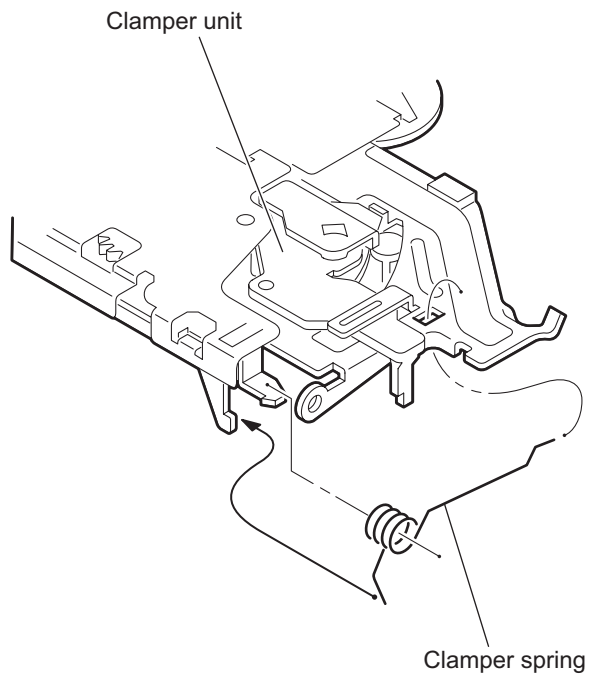


Fig.8

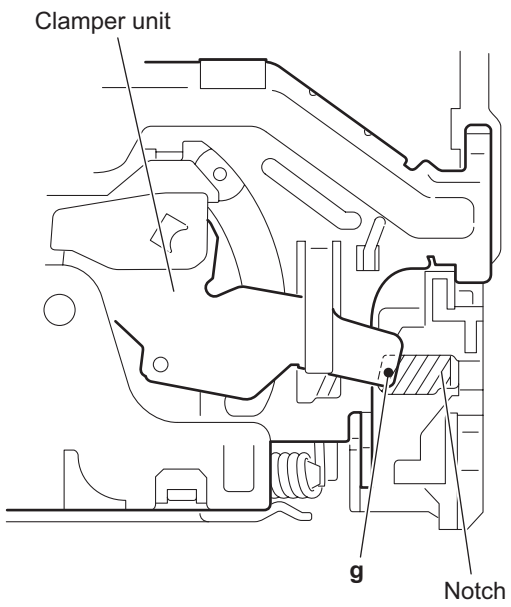


Fig.9

3.2.6 Removing the front unit (See Fig.10 to 12)

- Remove the top cover and the mechanism section.
 - (1) Disconnect the flexible wire from connector **CN202** on the mechanism control board at the bottom of the body. (See Fig.10.)
 - (2) Remove the screw **G** attaching the front unit on the top of the body. (See Fig.11.)
 - (3) Move the front unit toward the front to release joint **h**, and release two joints **i** and **j** on the right side of the chassis base assembly. Then remove the front unit upward. (See Figs.11 and 12.)
 - (4) Remove the two screws **H** attaching the switch board. (See Fig.12.)

Reference:

You can remove the switch board only without removing the front unit.

Caution:

When reassembling, attach the flexible wire extending from the switch board using the double tape. (See Figs.10 and 12.)

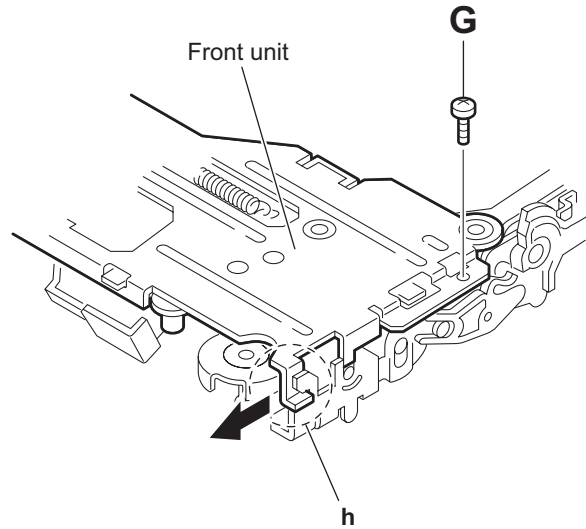


Fig.11

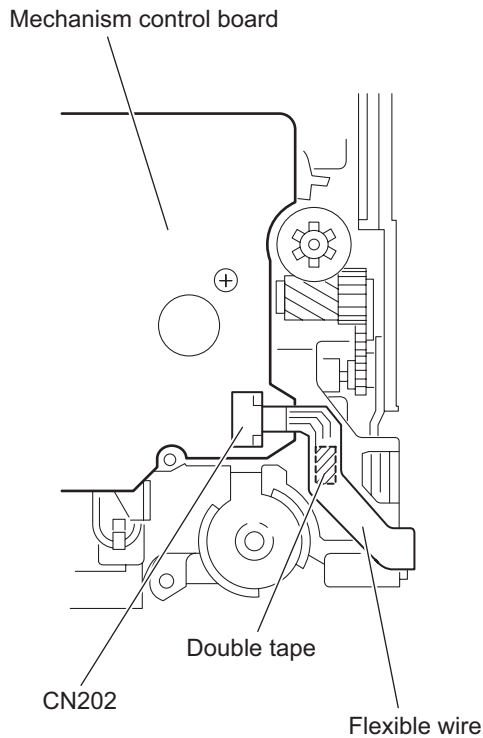


Fig.10

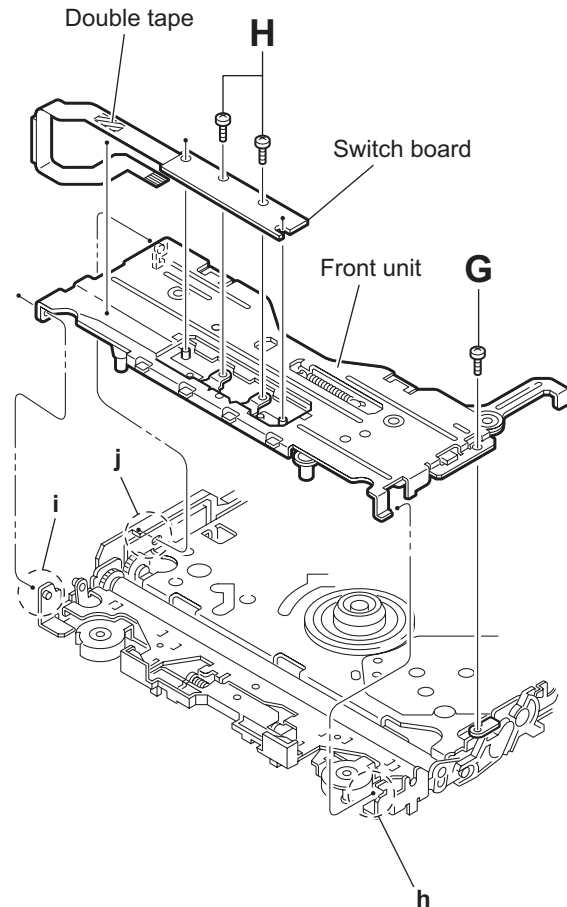


Fig.12

3.2.7 Removing the loading arm assembly (See Fig.13 , 14)

- Remove the top cover, the mechanism section and the front unit.
 - From the top of the body, move the loading arm assembly from the front side upward, and release the bosses from the right and left joints **k** and **m** of the chassis base assembly.
 - Release the boss from notch **n** of the connect arm on the right side of the body, and release the boss from notch **p** of the slide cam assembly on the left side.

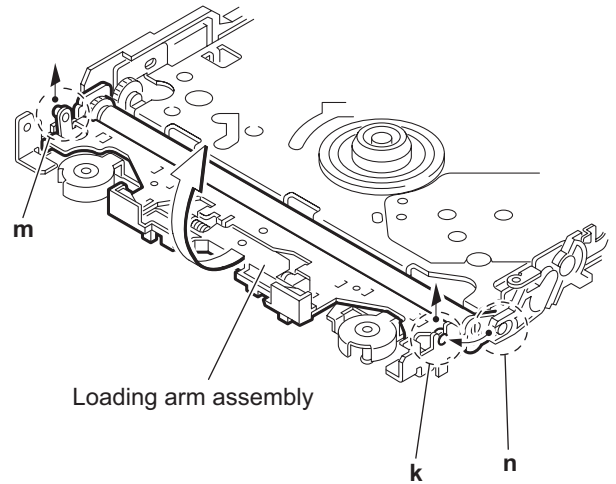


Fig.13

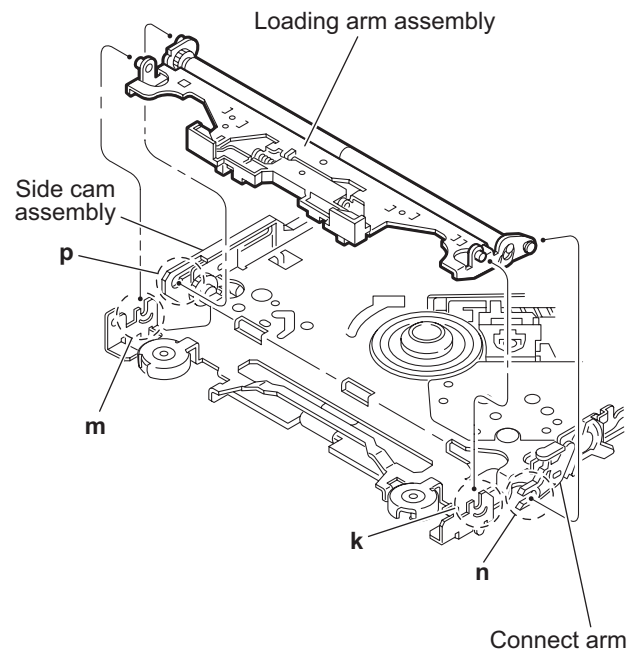


Fig.14

3.2.8 Removing the rod (L)(R)/roller assembly (See Fig.15 and 16)

- Remove the top cover, the mechanism section, the front unit and the loading arm assembly.
 - Release the rod (L) and (R) from the joints **q** at the bottom of the loading arm assembly (See Fig.15.)
 - Remove the roller assembly from the loading arm assembly. (See Fig.16.)
 - Remove the two collars and washer from the roller assembly. (See Fig.16.)

Caution:

After attaching the loading arm assembly to the roller assembly, attach the rod (L) and (R). Attach the rods to the right and left collars of the roller. (See Fig.15.)

When reattaching the rod (L) and (R) to the loading arm assembly, engage each joint as shown in Fig.15. As joints **q** of the rod (L), let the rod through **q** before reattaching it.

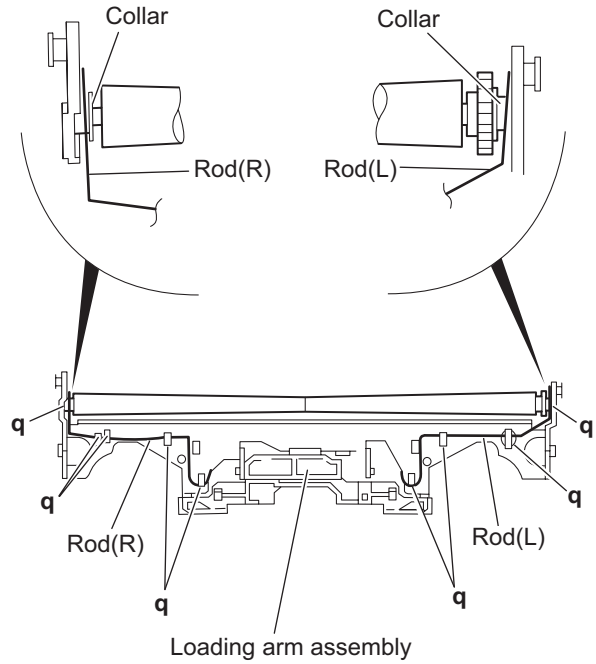


Fig.15

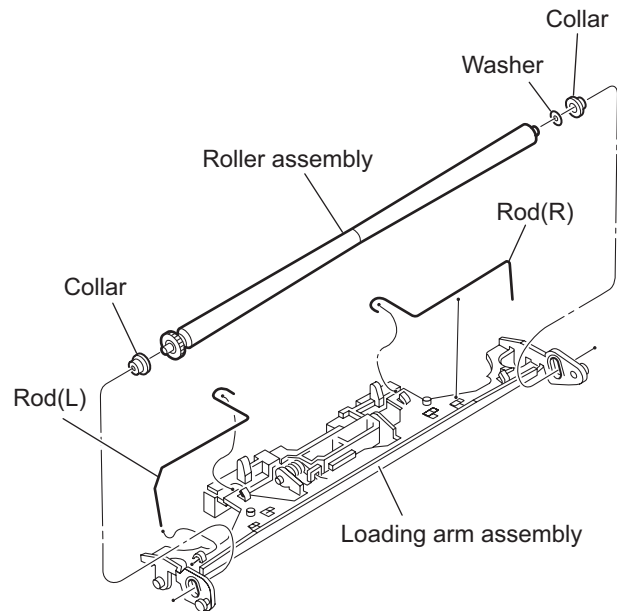


Fig.16

3.2.9 Removing the DVD pickup assembly (See Fig.17 to 19)

- Remove the mechanism control board.
 - (1) From the bottom of the body, turn the feed gear in the direction of the arrow to move the DVD pickup outwards. (See Fig.17.)
 - (2) Remove the screw **J** attaching the thrust spring. (See Fig.17.)
 - (3) Remove the DVD pickup assembly upward on the L.S.gear side and release from sub shaft at joint **r**. Move the lead screw of the DVD pickup assembly in the direction of the arrow to release from joint **s**. (See Fig.18.)

Caution:

- When releasing the lead screw at joint **s**, the L.S.collar comes off at the end of the lead screw. When reassembling, reattach the L.S.collar to the lead screw and engage joint **s**. (See Fig.18.)
 - When reattaching the L.S.collar, reattach it to the point **s** of the lead screw, and to the rod (M). Make sure that the L.S.collar is set on the rod (M) spring. (See Fig.18.)
- (4) Remove the screw **K** attaching the rack spring/ rack plate on the DVD pickup. (See Fig.19.)
 - (5) Pull out the lead screw. (See Fig.19.)

Caution:

Perform adjustment after replacing the pickup.

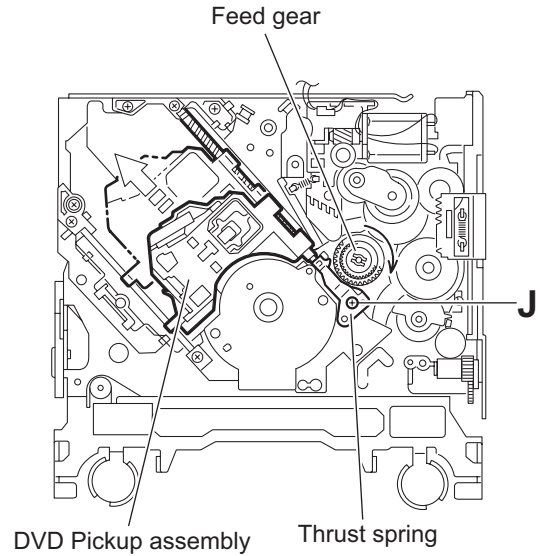


Fig.17

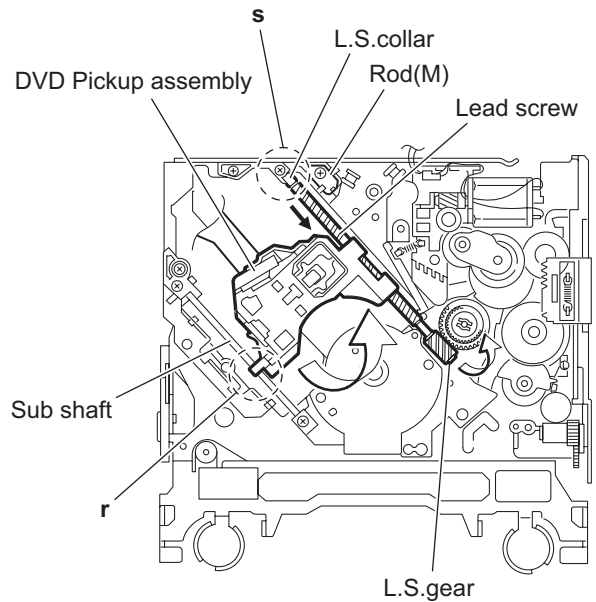


Fig.18

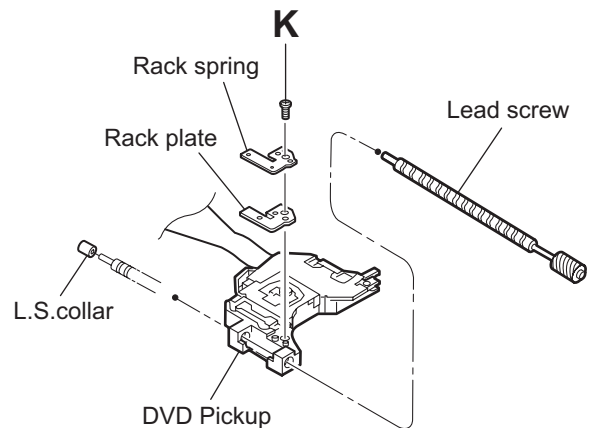


Fig.19

3.2.10 Removing the spindle motor (See Fig.20)

- Remove the mechanism control board.
Remove the two screws **L** attaching the spindle motor on the bottom of the body.

Caution:

Perform adjustment when reattaching the spindle motor.

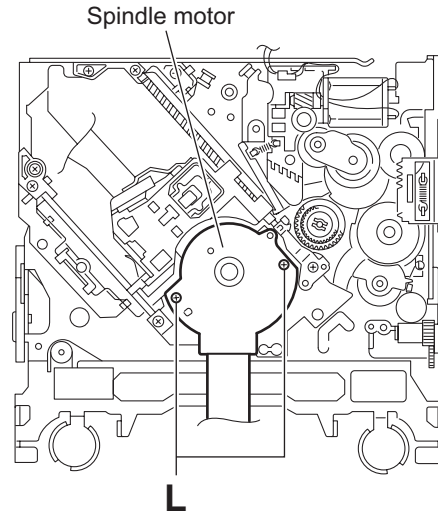


Fig.20

3.2.11 Removing the feed motor assembly (See Fig.21 and 22)

- Remove the mechanism control board.
 - Remove the feed TRI. spring on the bottom of the body.
(See Fig.21.)
 - Remove the two screws **M** attaching the feed motor assembly. (See Fig.21.)
 - Remove the slit washer from the motor H. assembly and pull out the worm wheel. (See Fig.22.)

Remove the two screws **N** attaching the feed motor. (See Fig.22.)

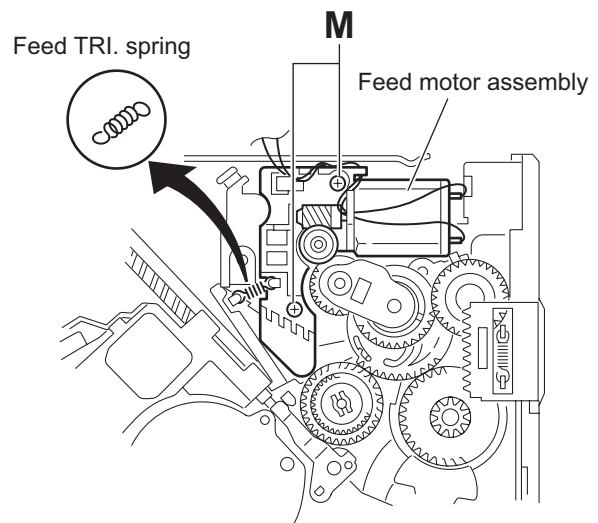


Fig.21

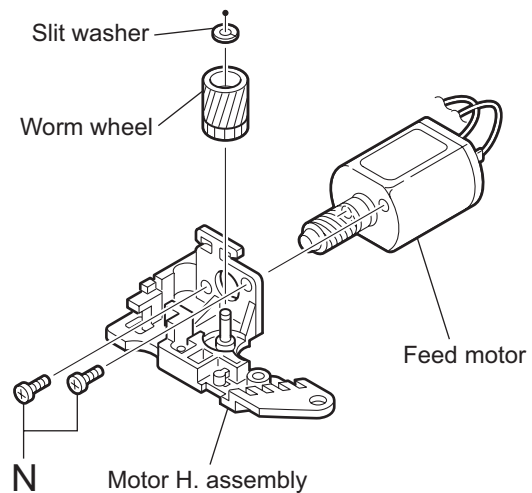


Fig.22

SECTION 4 ADJUSTMENT

4.1 Test instruments required for adjustment

- (1) Digital oscilloscope (100MHz)
- (2) Jitter meter
- (3) Digital tester
- (4) Electric voltmeter
- (5) Tracking offset meter
- (6) Test Disc : VT501 or VT502
- (7) Extension studs : STDV001-3P
- (8) Extension cable : EXTDV001-20P ×2

4.2 Standard measuring conditions

Power supply voltage	DC14.4V(11 to 16V)
Load impedance	4 Ω (2 Speakers connection)
Line Output	20K Ω

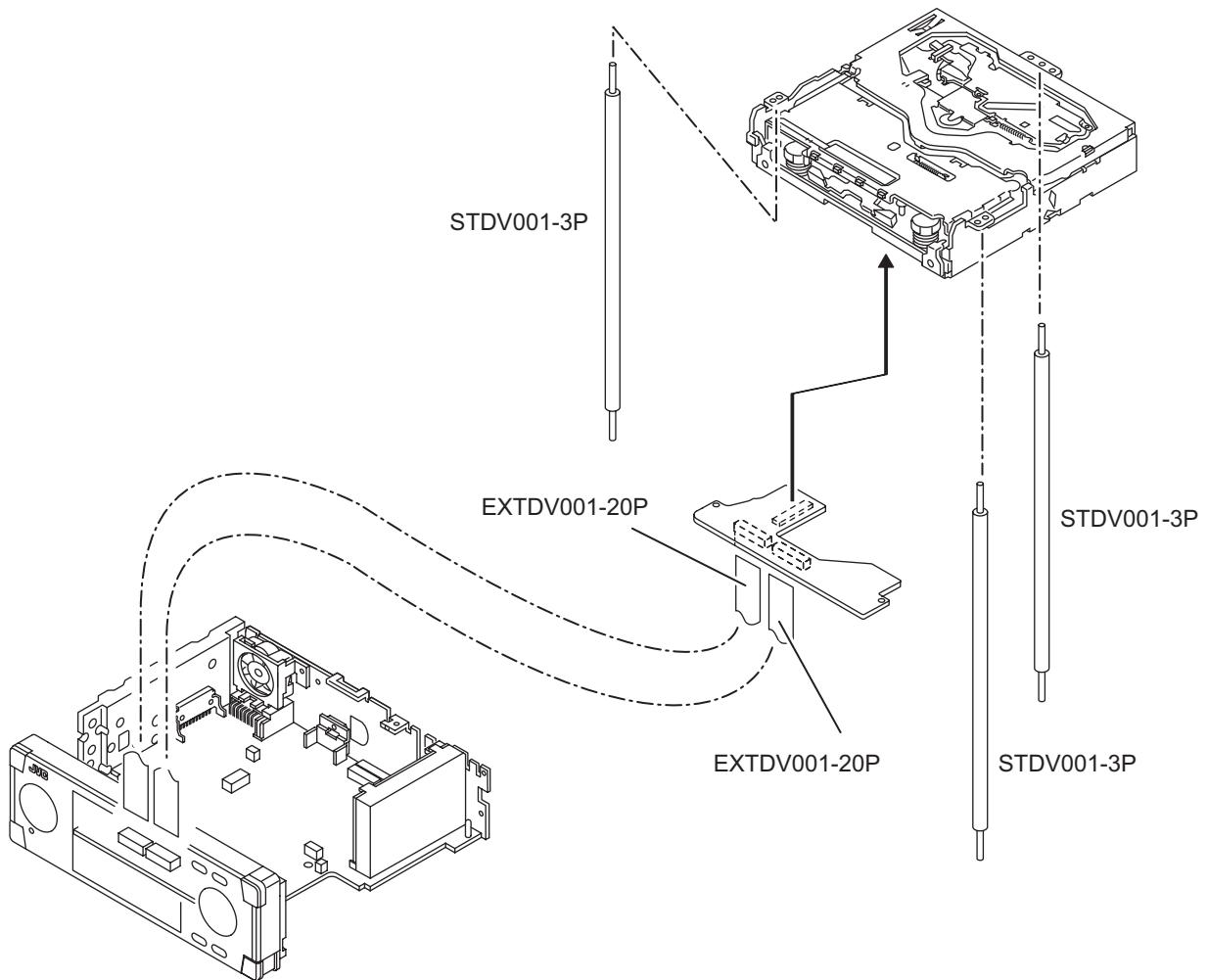
Caution:

Be sure to attach the heat sink and rear bracket onto the power amplifier IC and regulator IC respectively, before supply the power. If voltage is applied without attaching these parts, the power amplifier IC and regulator IC will be destroyed by heat.

4.3 Connection method

Connection procedure

- (1) Attach the front chassis assembly to the main board.
- (2) Attach the heat sink and rear bracket to the main board.
- (3) Attach the extension studs to the DVD mechanism assembly.
- (4) Connect the DVD mechanism assembly and the main board with a extension cable.



4.4 Adjustment method for jitter

After replacing the pickup, set the unit in the service mode to display a jitter value on the LCD.

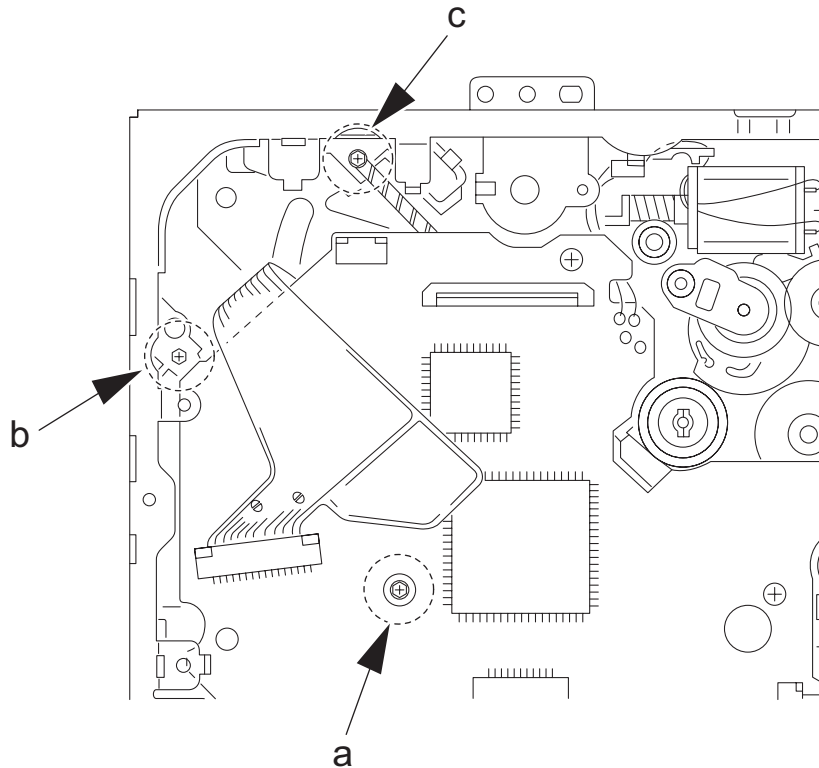
Confirm that the jitter value measured with a jitter meter is within 12% of the jitter value displayed on the LCD.

If it is within 12%, then adjustment is not necessary.

If the measured jitter value is outside the 12% tolerance range, perform the following adjustments.

4.4.1 Adjustment procedure

- (1) Set the unit to the service mode and display a jitter value (hex data) on the LCD.
- (2) Turn each of the screws **a**, **b** and **c**, by a half-turn per step, in the direction that reduces the jitter value in order to minimize it .
(Do not turn a screw more than a half turn at a time, but adjust the screws in the cycle of the same level is turned in the pair of **b+c** and the same level is turned in the pair of **a+b**.)
- (3) After completing the adjustment, secure the screws with screw lock paint.



Jitter value adjustment procedure (Pickup horizontal level adjustment relative to the DVD recording surface)

(For the adjustment tool use a 3 mm wrench and not a screwdriver, this procedure will make the adjustment easier.)

3 mm wrench



- (1) Set the unit to the service mode and display a jitter value (hex data) on the LCD.
- (2) Turn each of the screws **a**, **b** and **c**, by a half-turn per step, in the direction that reduces the jitter value in order to minimize it .
(Do not turn a screw more than a half turn at a time, but adjust the screw in the cycle of same level turn by pair of **b+c** → pair of **a+b**.)
- (3) After completing the adjustment, secure the screws with screw lock paint.

4.5 Jitter value conversion table

Load the test DVD and set the unit to the service mode. A jitter value converted to the hex value is displayed on the LCD. Refer to the corresponding decimal notation value shown in the following Jitter Conversion Table.

The adjustment is OK if the jitter value measured with a jitter meter is within 12% of the jitter value displayed on the LCD. If the measured jitter value is outside the 12% tolerance range, adjust it to minimize the difference between the measured value and the displayed value.

Indicated on the LCD	Jitter value (%)	Indicated on the LCD	Jitter value (%)	Indicated on the LCD	Jitter value (%)
EF56	4.7	E79E	8.5	DFE6	12.3
EF22	4.8	E76A	8.6	DFB2	12.4
EEEE	4.9	E736	8.7	DF7E	12.5
EEBA	5.0	E702	8.8	DF4A	12.6
EE86	5.1	E6CE	8.9	DF16	12.7
EE52	5.2	E69A	9.0	DEE2	12.8
EE1E	5.3	E666	9.1	DEAE	12.9
EDEA	5.4	E632	9.2	DE7A	13.0
EDB6	5.5	E5FE	9.3	DE46	13.1
ED82	5.6	E5CA	9.4	DE12	13.2
ED4E	5.7	E596	9.5	DDDE	13.3
ED1A	5.8	E562	9.6	DDAA	13.4
ECE6	5.9	E52E	9.7	DD76	13.5
ECB2	6.0	E4FA	9.8	DD42	13.6
EC7E	6.1	E4C6	9.9	DD0E	13.7
EC4A	6.2	E492	10.0	DCDA	13.8
EC16	6.3	E45E	10.1	DCA6	13.9
EBE2	6.4	E42A	10.2	DC72	14.0
EBAE	6.5	E3F6	10.3	DC3E	14.1
EB7A	6.6	E3C2	10.4	DC0A	14.2
EB46	6.7	E38E	10.5	DBD6	14.3
EB12	6.8	E35A	10.6	DBA2	14.4
EADE	6.9	E326	10.7	DB6E	14.5
EAAA	7.0	E2F2	10.8	DB3A	14.6
EA76	7.1	E2BE	10.9	DB06	14.7
EA42	7.2	E28A	11.0	DAD2	14.8
EA0E	7.3	E256	11.1	DA9E	14.9
E9DA	7.4	E222	11.2	DA6A	15.0
E9A6	7.5	E1EE	11.3	DA36	15.1
E972	7.6	E1BA	11.4	DA02	15.2
E93E	7.7	E186	11.5	D9CE	15.3
E90A	7.8	E152	11.6	D99A	15.4
E8D6	7.9	E11E	11.7	D966	15.5
E8A2	8.0	E0EA	11.8	D932	15.6
E86E	8.1	E0B6	11.9	D8FE	15.7
E83A	8.2	E082	12.0	D8CA	15.8
E806	8.3	E04E	12.1	D896	15.9
E7D2	8.4	E01A	12.2	D862	16.0

Calculation	
Indicated on the LCD	Jitter (%)
E9A6	7.5

4.6 Service mode

4.6.1 Service mode 1 (Indication of a service mode 1 is nothing.)

Keep this state more 2 seconds while continuing pressing the [STANDBY/ON ATTENUATOR] button and [EJECT] button sequentially.

Screen indication

NO EJECT?	* 1
EMERGENCY EJECT?	* 2

Exchanging it operate a menu of a service mode with the [UP] button and [DOWN] button. Operate choice of a menu with a [ENT] button.

*1 : When an [ENT] button is pushed in NO EJECT indication, it is set by an EJECT prohibition mode.

When an [ENT] button is pushed in EJECT OK indication, it is set by a normal mode.

*2 : Forced EJECT movement

A screen becomes normal indication after an ENT button was pushed.

4.6.2 Service mode 2

Keep this state more 2 seconds while continuing pressing the [MENU] button, [VOLUME-] button and [ENT] button sequentially.

Screen indication

SERVICE MODE 2
INITIALIZE DVD

Press the [ENT] button.

SERVICE MODE 2
INITIALIZE DVD
OK **

Full initialization of EEPROM of a DVD unit (It is included a permanent domain)
After clear completion, this indication is continued till an effective key is input. (OK **)

4.6.3 Service mode 3

Keep this state more 2 seconds while continuing pressing the [MENU] button, [VOLUME+] button and [ENT] button sequentially.

Screen indication

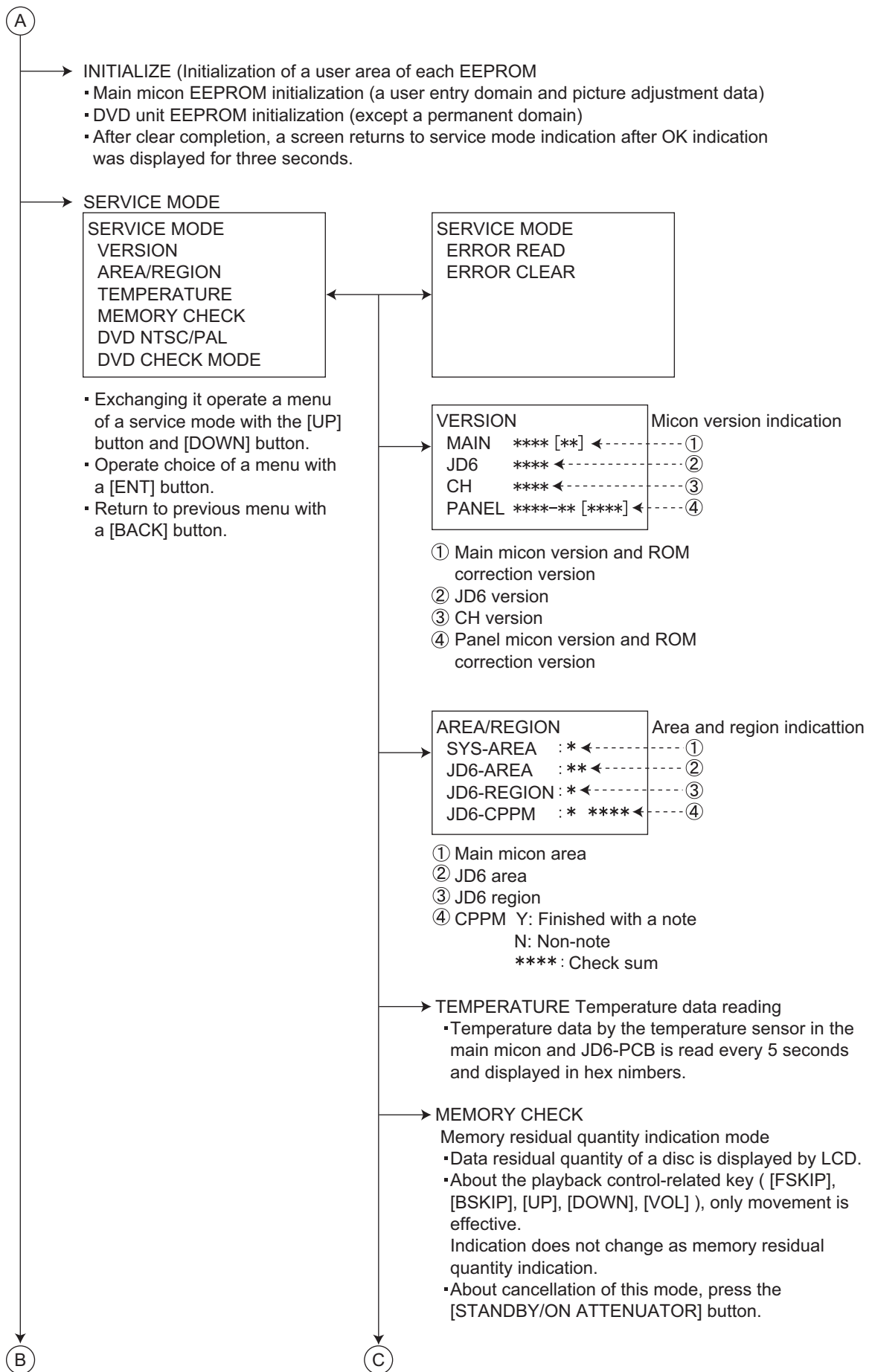
SERVICE MODE 3
INITIALIZE ALL
INITIALIZE
SERVICE MODE
RUNNING MODE

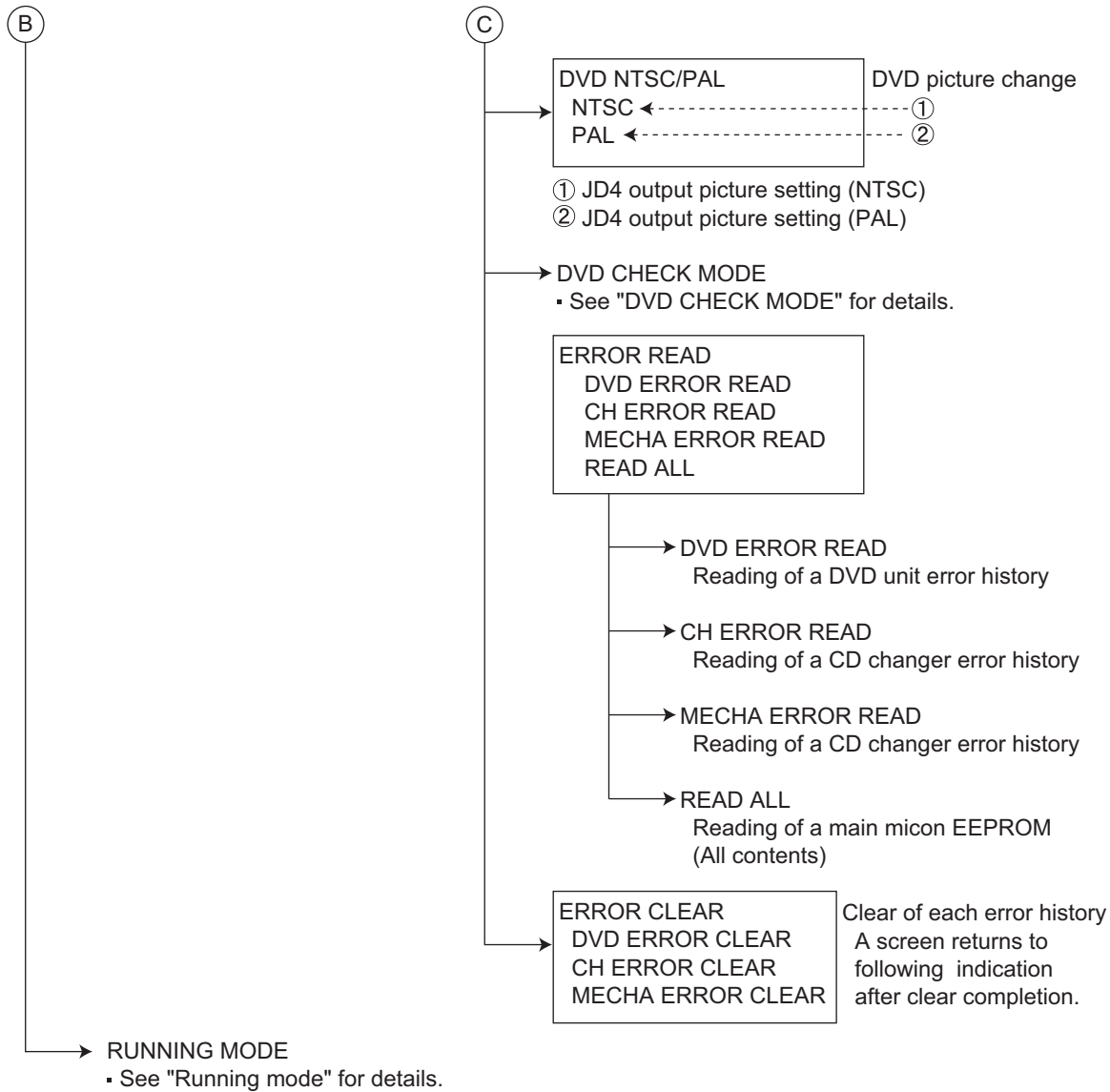
Exchanging it operate a menu of a service mode with the [UP] button and [DOWN] button. Operate choice of a menu with a [ENT] button.

→ INITIALIZE ALL (Each EEPROM is initialized by a factory shipment state.)

- Main micon EEPROM initialization (except a ROM correction domain)
- Panel micon EEPROM initialization (except factory adjustment data domain and ROM correction domain)
- DVD unit EEPROM initialization (except a permanent domain)
- After clear completion, a screen returns to normal indication after OK indication was displayed for three seconds.

(A)





4.6.4 Service mode 4

Keep this state more 2 seconds while continuing pressing the [BACK] button, [MENU] button and [SRC] button sequentially.

Screen indication

SERVICE MODE 4
RDS S MODE
MONITOR S MODE

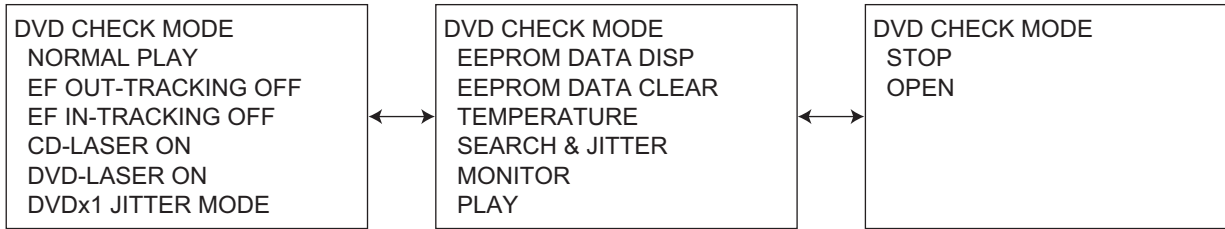
Exchanging it operate s menu of a service mode with the [UP] button and [DOWN] button. Operate choice of a menu with a [ENT] button.

RDS S MODE
•RDS service mode (Only RDS model)

MONITOR S MODE
R/W CHROMA 1
R/W CHROMA 3
DATA CLEA

*See "Monitor adjustment" for details.
 CHROMA DATA read/write of NTSC/PAL signal processing IC
 CHROMA DATA read/write of TFT driver IC
 Clear of CHROMA DATA of 1,3 (return to an initial value)

4.7 DVD check mode



Exchanging it operate a menu of a service mode with the [UP] button. and [DOWN] button. Operate choice of a menu with a [ENT] button.

Command	Mechanism unit operation	Indication contents
NORMAL PLAY	Start at normal speed (After start, jitter is measured by an inner position.)	Laser current value, jitter value
EF OUT-TRACKING OF	Tracking off the outermost position of CD	For EF phase error
EF IN-TRACKING OFF	Tracking off the innermost position of CD	For EF phase error
CD-LASER ON	CD_LD lights and laser current is displayed.	Laser current value, jitter value
DVD-LASER ON	DVD_LD lights and laser current is displayed	Laser current value, jitter value
DVDx1 JITTER MODE	DVD x1 jitter measuring mode (for use in mechanism adjustment)	Laser current value, jitter value
EEPROM DATA DISP	Contents of EEPROM is displayed.	EEPROM address EEPROM contents
EEPROM DATA CLEA	Contents of EEPROM is initialized.	EEPROM address EEPROM contents
TEMPERATURE	Temperature indication	Temperature is displayed in hex numbers.
SEARCH & JITTER	The search and jitter measurement to an appointed position of DVD.	Position measured with VT-501 jitter value
MONITOR	Monitor terminal setting	
PLAY	DVD x1 stopped start (After start, jitter is measured by an inner position.)	Not displayed.
STOP	Disc stopped, LD-OFF	Not displayed.
OPEN	OPEN	Not displayed.

4.8 Error code tables

4.8.1 Mechanism error code

Error contents	Details	Error code	Detailed error code
Disc loading error			
①B1 time out		0x09	0x0011
②C1 time out		0x09	0x0012
③D1 time out		0x09	0x0013
④C2 time out		0x09	0x0014
⑤B2 time out		0x09	0x0015
⑥A2 time out		0x09	0x0016
⑦F1 time out		0x09	0x0017
⑧A0 (Switch state without existence)		0x09	0x0018
⑨G1 time out		0x09	0x0019
⑩G2 time out		0x09	0x0020
Eject error			
①F2 time out		0x01	0x0021
②A1 time out		0x01	0x0022
③B1 time out		0x01	0x0023
④C1 time out		0x01	0x0024
⑤D1 time out		0x01	0x0025
⑥C2 time out		0x01	0x0026
⑦B2 time out		0x01	0x0027
⑧A0 (Switch state without existence)		0x01	0x0028
Error in loading wait	Loading of a running mode Disc was pulled out in a wait.	0x09	0x0031
Loading re-execution → NG → Eject	Running mode error	0x09	0x0032
Eject re-execution → NG → Loading	Running mode error	0x01	0x0033

4.8.2 Disc error code

Error contents	Details	Error code	Detailed error code
TOC read error	TOC lead movement of a CD is not completed.	0x84	0x0059
First track access error	Even if TOC reading passes after the end with CD running mode for 30 seconds, the first track access is not finished.	0x80	0x0060
Last track access error	Even if first track passes after the end with CD running mode for 30 seconds, the last track access is not finished.	0x80	0x0061
T1 access error	Even if T1 access passes in a DVD running mode for 30 seconds, it is not finished.	0x80	0x0069
T12 access error	Even if T12 access passes in a DVD running mode for 30 seconds, it is not finished.	0x80	0x0070
T24 access error	Even if T24 access passes in a DVD running mode for 30 seconds, it is not finished.	0x80	0x0071
Read-in area read error	Read-in area read operation of DVD is not completed.	0x84	0x0072
DVD L1 layer adjustment error	Adjustment of L1 layer of DVD is not finished normally. (including focus jump failure)	0x80	0x0074
NO DISC judgment	Judgment without disc	0x80	0x0090
It is NO DISC by start failure	Start is impossible	0x80	0x0091
It is stopped by playback inability.	Stop in running mode playback	0x80	0x0093
Logic format NG	Logic format analysis inability or non-correspondence logic format	0x80	0x0094

4.9 Running mode

Indication	Explanation	Operation contents of 1 cycle	In mecha error	In mecha error	
RUNNING1 MECHA	Door mecha running 1	Panel close → Panel open	-	-	
RUNNING2 MECHA	Door mecha running 2	Panel close → Panel open Panel detach position → Panel angle	RETRY	Retry	-
		3 position → Panel angle 1 position → Panel angle → 2position	NO RETRY	Stop	-
RUNNING3 DVD	DVD+Door mecha running1	Loading → Eject Wait for 5 seconds+Door open/close	Stop	-	
RUNNING4 DVD	DVD+Door mecha running2	Loading → Eject Wait for 5 seconds+Door open/close	Retry	-	
RUNNING5 DVD	DVD+Door mecha running3	Loading → Playback → Eject → Wait for 5 seconds+Door open/close	Stop	Stop	
RUNNING6 DVD	DVD+Door mecha running4	Loading → Playback → Eject → Wait for 5 seconds+Door open/close	Retry	Stop	
RUNNING7 DVD	DVD+Door mecha running5	Loading → Playback → Eject → Wait for 5 seconds+Door open/close	Stop	Retry	
RUNNING8 DVD	DVD+Door mecha running6	Loading Playback → Eject → Wait for 5 seconds+Door open/close	Retry	Retry	

* Cancellation of running1,2 : Press the [EJECT] key

* In running 1,2 cancellation, a door does not stop at the position and moves to a panel position.

* Cancellation of running3 to 8 : Press the [POWER] key

Playback contents in a running mode

▪ CD

The first track is played for 30 seconds. → The last track is played for 30 seconds.

(The last track is played in the case of less than till the last for 30 seconds.)

▪ DVD

2layer disc (Pit disc)

Title 1 (the L0 layer internal circumference) is played for 30 seconds.

→ Title 12 (L0 layer circumference) is played for 30 seconds.

→ Title 24 (L1layer internal circumference) is played for 30 seconds.

2layer disc (Recordable disc)

Title 1 (the L0 layer internal circumference) is played for 30 seconds.

→ Title 13 (L0 layer circumference) is played for 30 seconds.

→ Title 24 (L1layer internal circumference) is played for 30 seconds.

1layer disc

First chapter of title 1 is played for 30 seconds. The last chapter of title 1 is played for 30 seconds.

4.10 Monitor adjustment

* When adjusting, switch on the main unit and insert a test disc (VT-501). And play the test disc and pause it.

- (1) Set the service mode 4.
- (2) Exchanging it operate a menu of a service mode with the [UP] button and [DOWN] button.
- (3) Change data with the [B.SKIP]/[F.SKIP] buttons.
- (4) Write data with a [OK] button.

R/W CHROMA 1

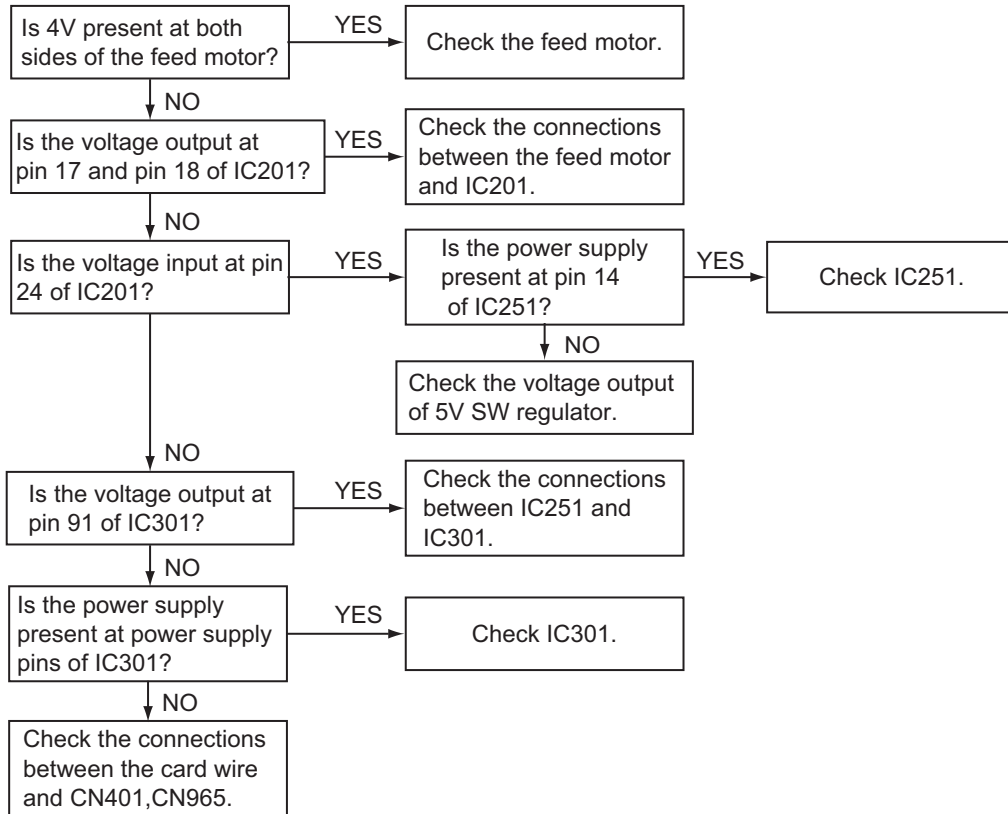
Indication	Minimum value	Maximum value	Initial value	Reference register value	
PICTURE	00	1F	03	03	Fix
COLOR NTSC	00	FF	5B	66	Adjust
COLOR PAL	00	FF	5C	67	Adjust
TINT NTSC	00	FF	9F	A2	Adjust
TINT PAL	00	FF	98	9B	Adjust
PHASE NTSC	00	3F	20	20	Fix
PHASE PAL	00	3F	20	20	Fix
CONT-VIDEO	00	FF	78	6C	Adjust
CONT-RGB1	00	FF	00	00	Fix
CONT-RGB2	00	FF	00	00	Fix
GAMMA1	00	FF	B9	BC	Adjust
GAMMA2	00	FF	80	00	Fix
RGB AMPLITUDE	00	FF	7B	7E	Adjust
BRIGHT	00	FF	76	75	Adjust
SUB-BRIGHT R	00	FF	79	7A	Adjust
SUB-BRIGHT B	00	FF	7D	7D	Adjust
COM AMPLITUDE	00	FF	76	73	Adjust
COM DC	00	FF	35	35	Adjust
DAC OUT NTSC	00	FF	80	7A	Adjust
DAC OUT PAL	00	FF	79	74	Adjust
H POSITION	00	1F	1D	1D	Fix

R/W CHROMA 3

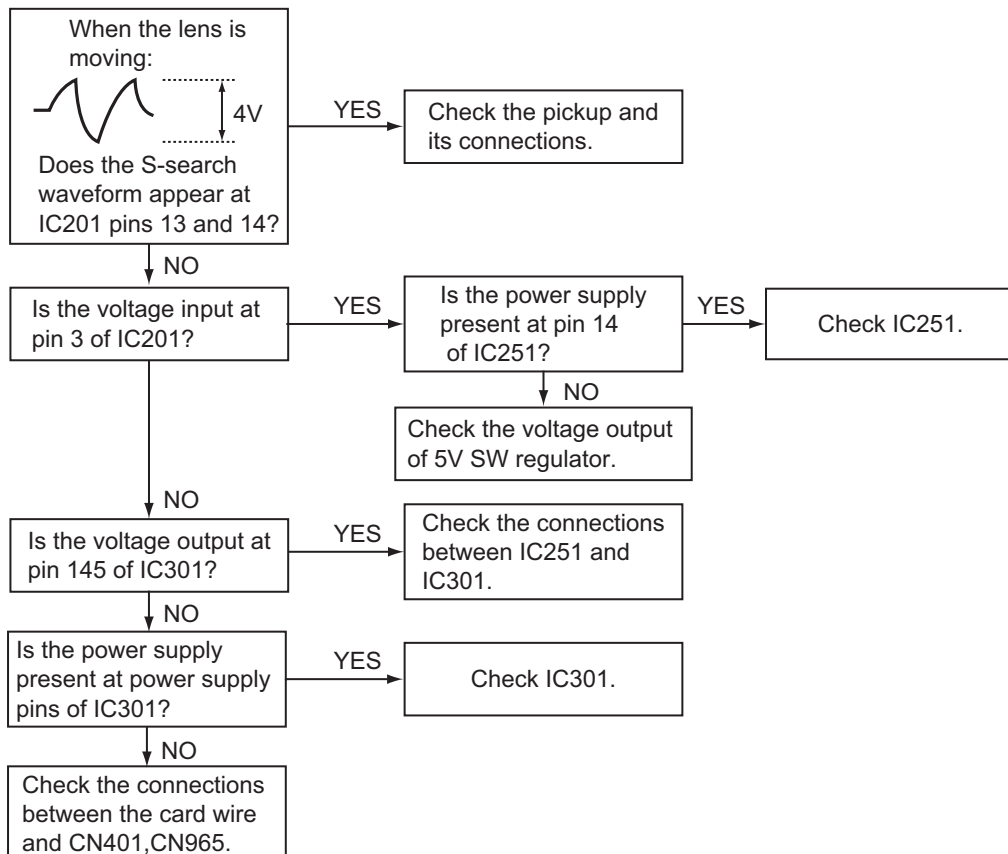
AGC SW	00	Fix
GAM TEST	00	Fix
NTSC/PAL	AUTO	DVD picture change (NTSC or PAL, and or AUTO)

SECTION 5 TROUBLESHOOTING

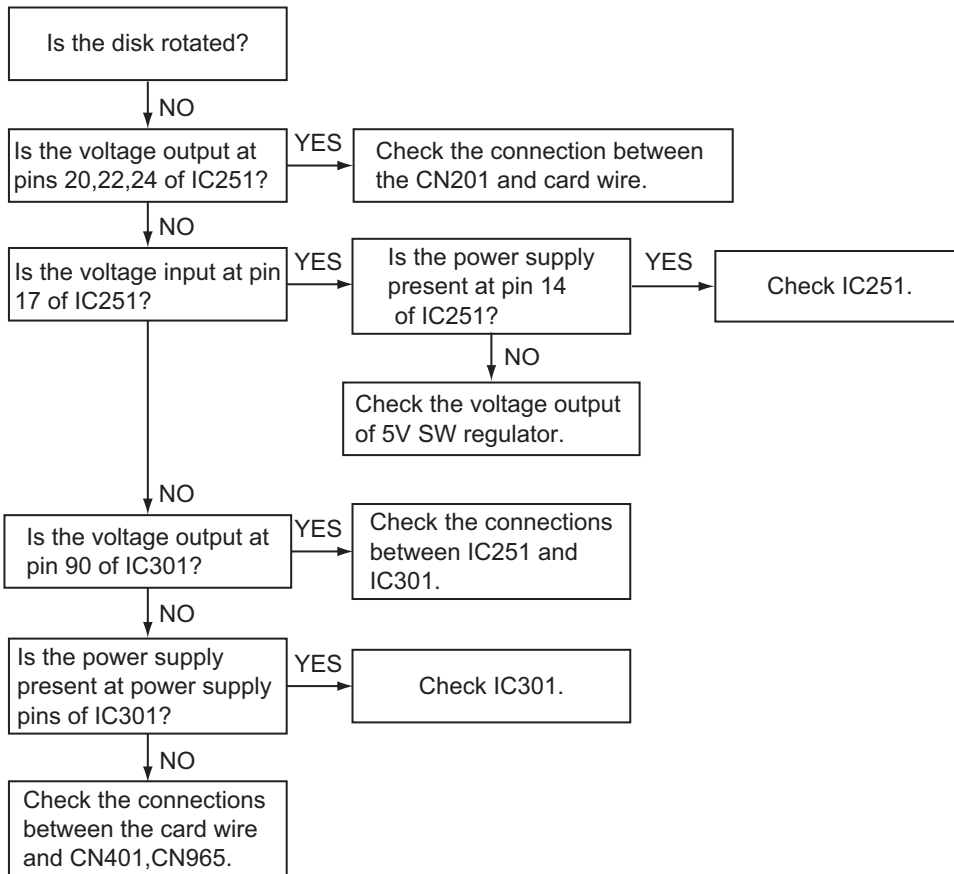
5.1 Feed section



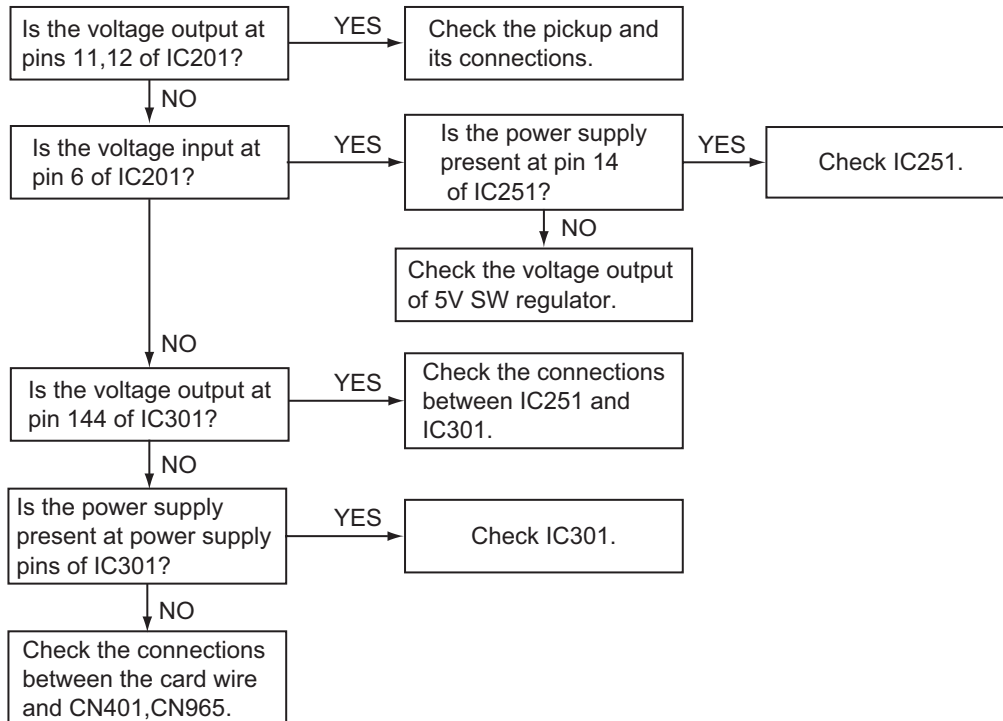
5.2 Focus section



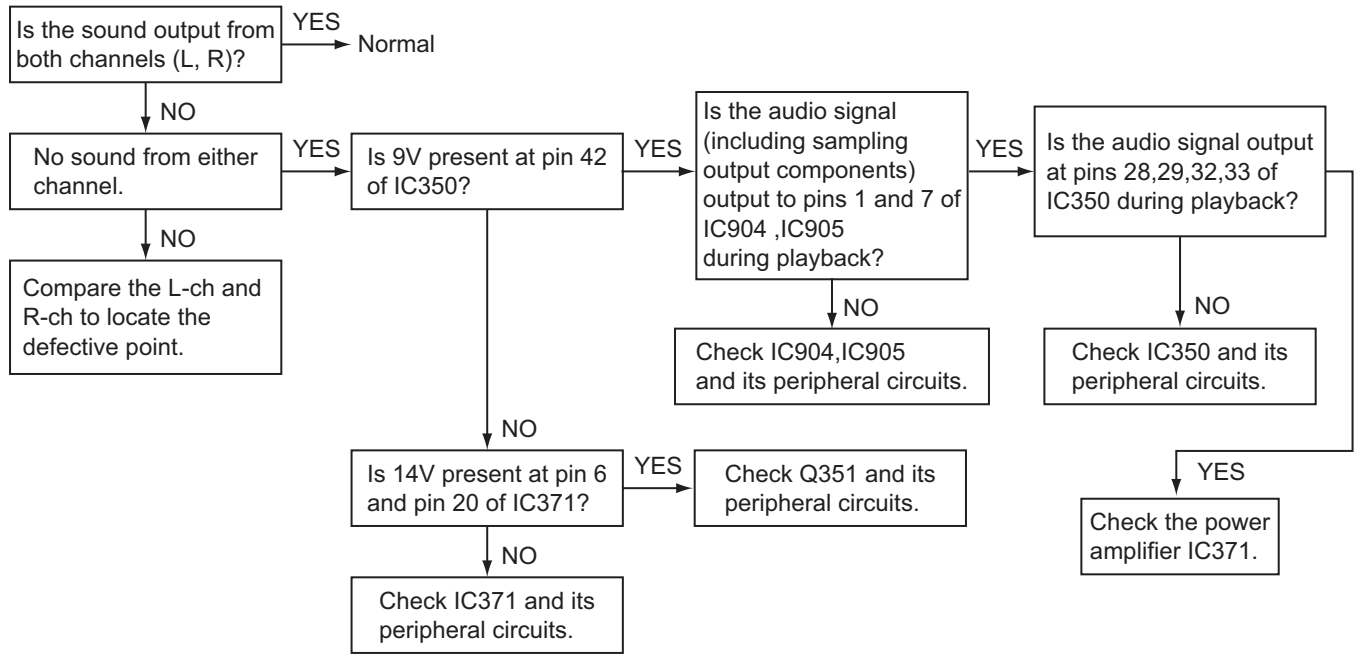
5.3 Spindle section



5.4 Tracking section

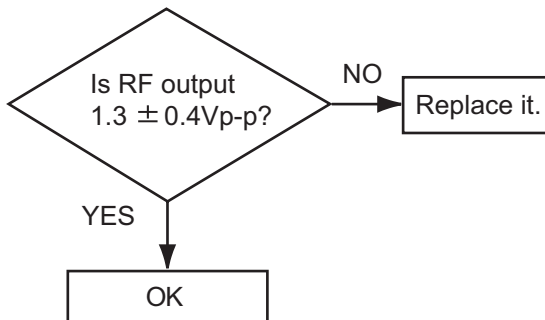


5.5 Signal processing section



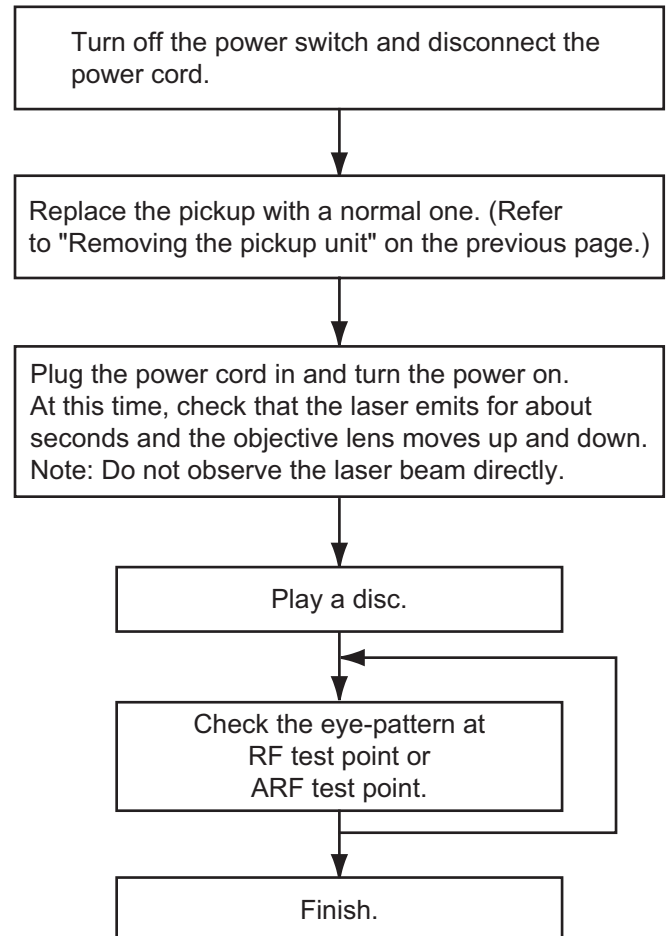
5.6 Maintenance of laser pickup

- (1) Cleaning the pick up lens
Before you replace the pick up, please try to clean the lens with a alcohol soaked cotton swab.
- (2) Life of the laser diode
When the life of the laser diode has expired, the following symptoms will appear.
 - The level of RF output (EFM output: amplitude of eye pattern) will be low.

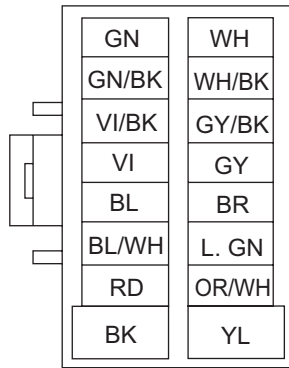


- (3) Semi-fixed resistor on the APC PC board
The semi-fixed resistor on the APC printed circuit board which is attached to the pickup is used to adjust the laser power. Since this adjustment should be performed to match the characteristics of the whole optical block, do not touch the semi-fixed resistor.
If the laser power is lower than the specified value, the laser diode is almost worn out, and the laser pickup should be replaced. If the semi-fixed resistor is adjusted while the pickup is functioning normally, the laser pickup may be damaged due to excessive current.

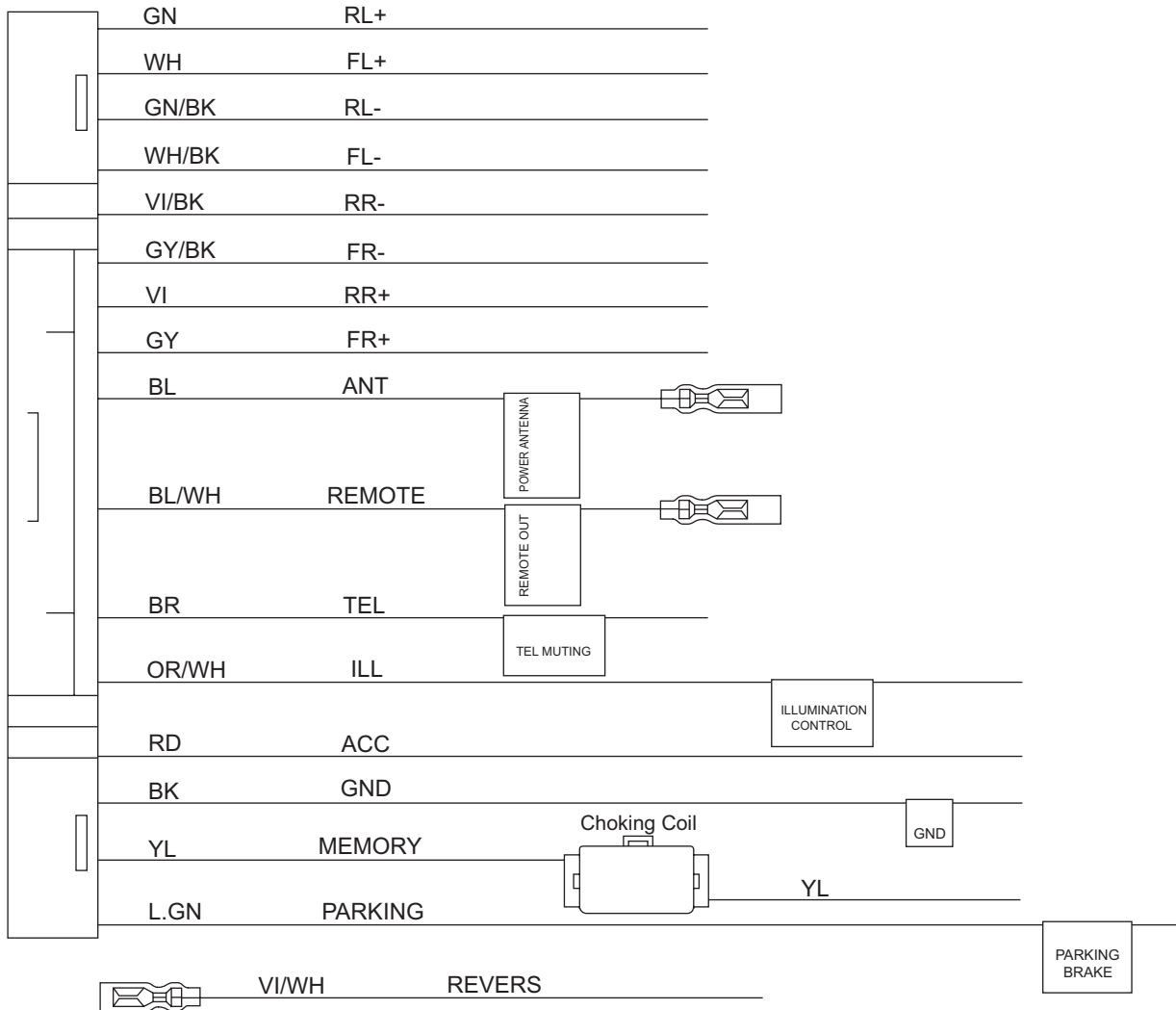
5.7 Replacement of laser pickup



5.8 16 PIN CORD DIAGRAM (for KD-AVX2J,KD-AVX2U,KD-AVX2UN,KD-AVX2A)

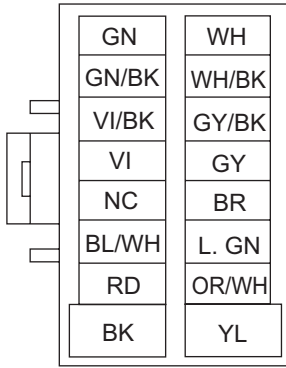


BK	Black	GN	Green
RD	Red	VI	Violet
BL	Blue	GY	Gray
WH	White	YL	Yellow
BR	Brown	OR	Orange
L.GN	Light Green		

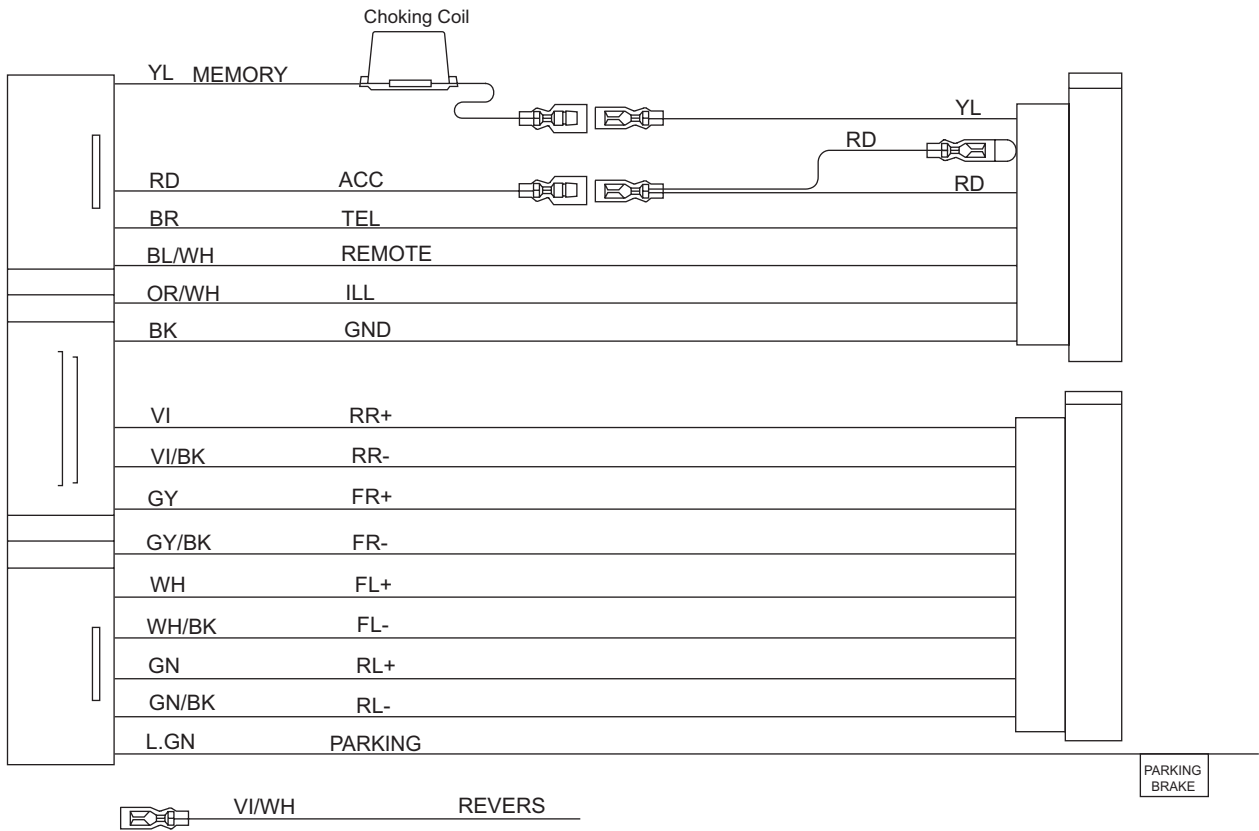
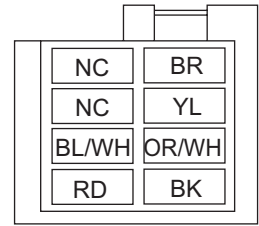


RR	Rear Right	ACC	ACC Line
FR	Front Right	TEL	Telephone Muting
FL	Front Left	GND	Ground
RL	Rear Left	MEMORY	Memory Backup Battery+
REMOTE	Remote	PARKING	Parking Brake
ILL	Illuminations Control	ANT	Auto Antenna
REVERS	Revers Gear Signal		

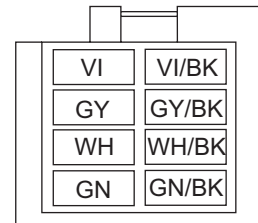
5.9 16 PIN CORD DIAGRAM (for KD-AVX2E,KD-AVX2EU,KD-AVX2EE)



BK	Black	GN	Green
RD	Red	VI	Violet
BL	Blue	GY	Gray
WH	White	YL	Yellow
BR	Brown	OR	Orange
L.GN	Light Green		



RR	Rear Right	ACC	ACC Line
FR	Front Right	TEL	Telephone Muting
FL	Front Left	GND	Ground
RL	Rear Left	MEMORY	Memory Backup Battery+
REMOTE	Remote	PARKING	Parking Brake
ILL	Illuminations Control	ANT	Auto Antenna
REVERS	Revers Gear Signal		





JVC

Victor Company of Japan, Limited
Mobile Entertainment Business Group Mobile Entertainment Category 10-1,1chome,Ohwatari-machi,Maebashi-city,Gumma-ken, 371-8543,Japan

(No.MA254)

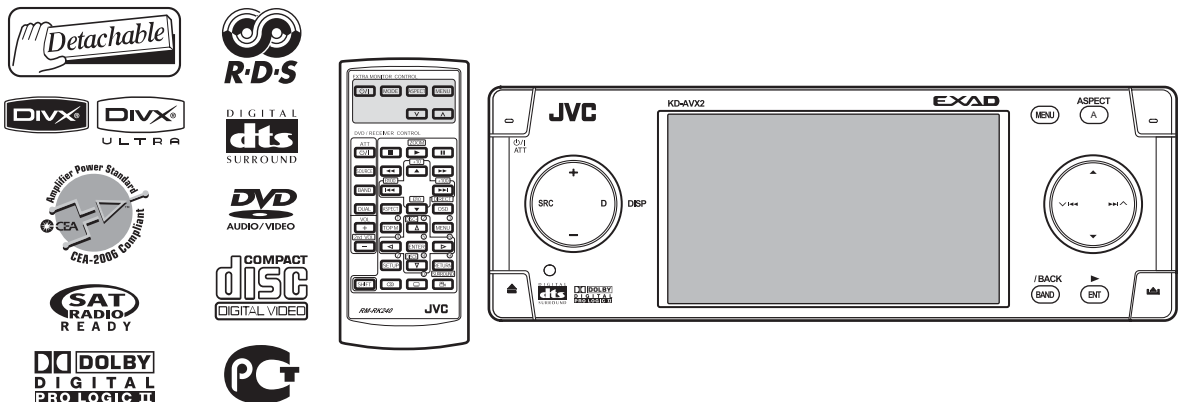
JVC

SCHEMATIC DIAGRAMS

DVD/CD PLAYER

KD-AVX2J, KD-AVX2E, KD-AVX2EU KD-AVX2EE, KD-AVX2U, KD-AVX2UN KD-AVX2A

CD-ROM No.SML200604



Lead free solder used in the board (material : Sn-Ag-Cu, melting point : 219 Centigrade)

Contents

Block diagram	2-1
Standard schematic diagrams	2-2
Printed circuit boards	2-8 to 10

Safety precaution

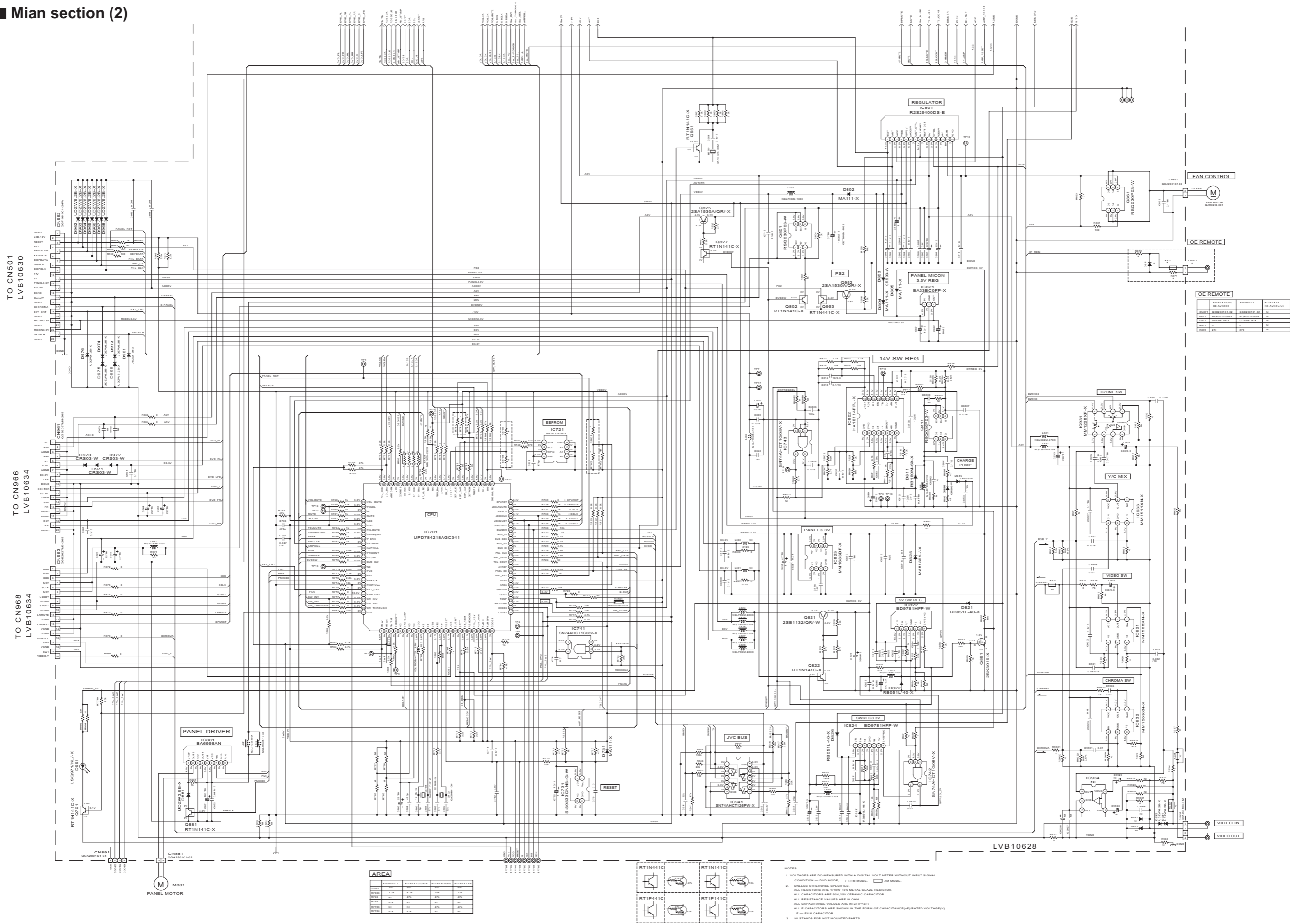


CAUTION Burrs formed during molding may be left over on some parts of the chassis. Therefore, pay attention to such burrs in the case of performing repair of this system.



CAUTION Please use enough caution not to see the beam directly or touch it in case of an adjustment or operation check.

■ Mian section (2)

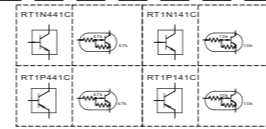


OE REMOTE

IC801	IC802	IC803
IC801	IC802	IC803
IC801	IC802	IC803
IC801	IC802	IC803
IC801	IC802	IC803

AREA

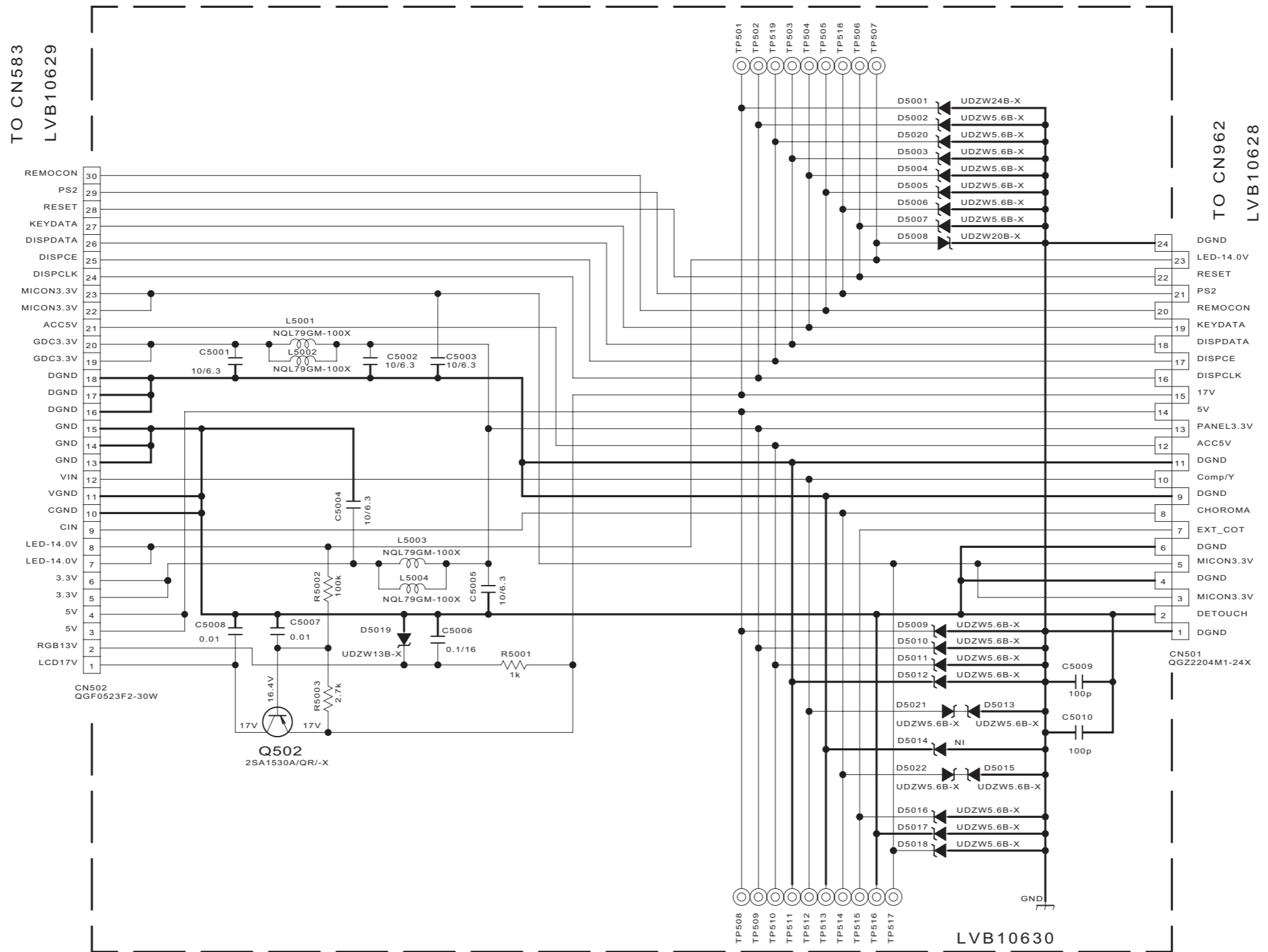
AREA	NO. OF PINS	NO. OF PINS	NO. OF PINS	NO. OF PINS
RTN141C-X	27	27	27	27
RTN141C-X	27	27	27	27
RTN141C-X	27	27	27	27
RTN141C-X	27	27	27	27
RTN141C-X	27	27	27	27



NOTES

- VOLTAGES ARE DC-MEASURED WITH A DIGITAL VOLT METER WITHOUT INPUT SIGNAL. CONDITION - DVD MODE. () FM MODE. () AM MODE.
- UNLESS OTHERWISE SPECIFIED: ALL RESISTORS ARE 1/16W ±5% METAL GLAZE RESISTOR. ALL CAPACITORS ARE 50V 25V CERAMIC CAPACITOR. ALL RESISTANCE VALUES ARE IN OHM. ALL CAPACITANCE VALUES ARE IN (P/F/PF). ALL CAPACITORS ARE SHOWN IN THE FORM OF CAPACITANCE/(RATED VOLTAGE). F - FILM CAPACITOR.
- NO STANDS FOR NOT MOUNTED PARTS.

■ Panel section (2)

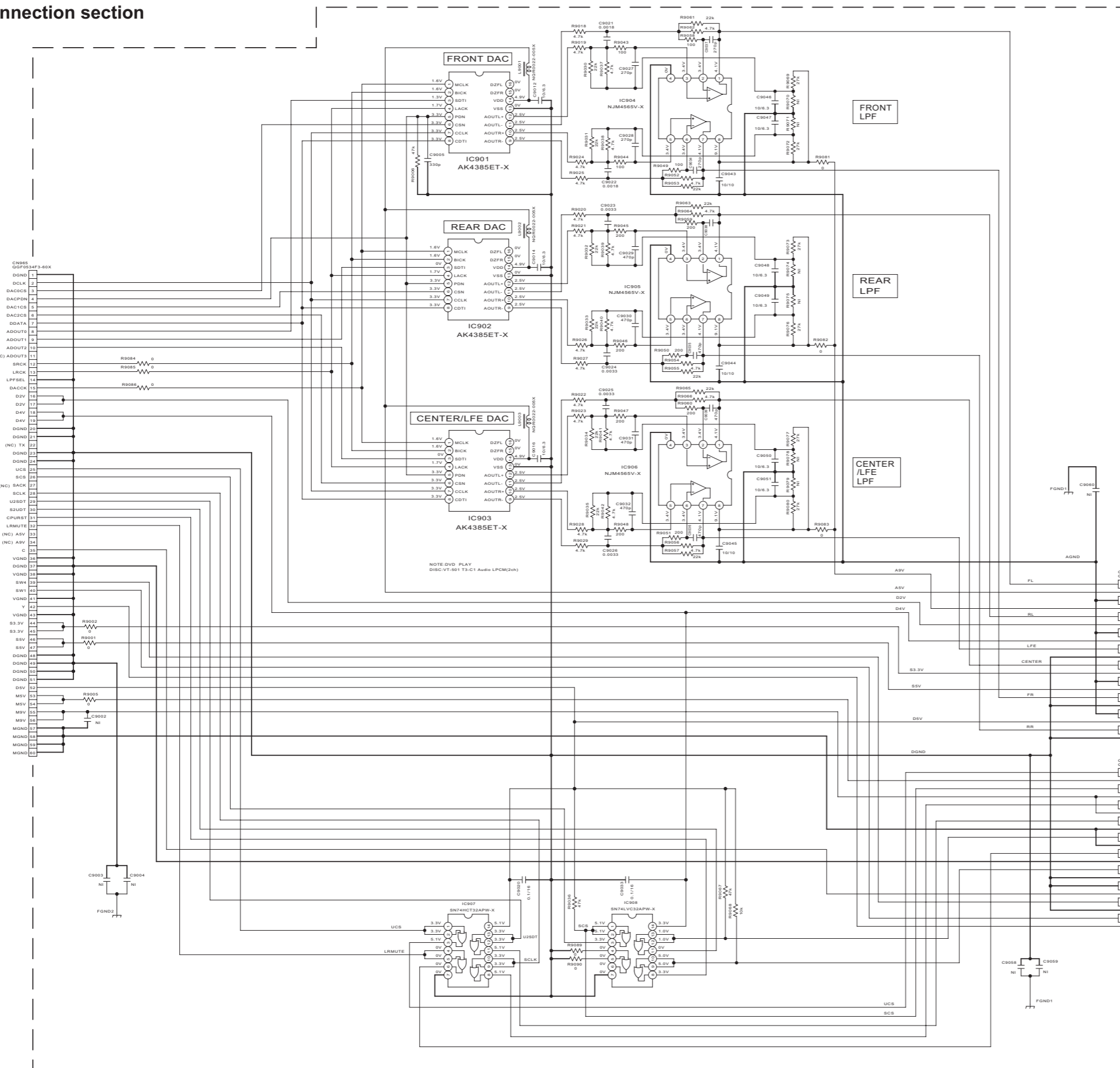


NOTES

- VOLTAGES ARE DC-MEASURED WITH A DIGITAL VOLT METER WITHOUT INPUT SIGNAL
CONDITION --- DVD MODE
- UNLESS OTHERWISE SPECIFIED.
ALL RESISTORS ARE 1/10W +5% METAL GLAZE RESISTOR.
ALL CAPACITORS ARE 50V,25V CERAMIC CAPACITOR.
ALL RESISTANCE VALUES ARE IN OHM.
ALL CAPACITANCE VALUES ARE IN uF(P=pF)
ALL E.CAPACITORS ARE SHOWN IN THE FORM OF CAPACITANCE(uF)/RATED VOLTAGE(V)
F --- FILM CAPACITOR
- NI STANDS FOR NOT MOUNTED PARTS

■ Connection section

TO DVD MECHA (FMU-JD6-31)

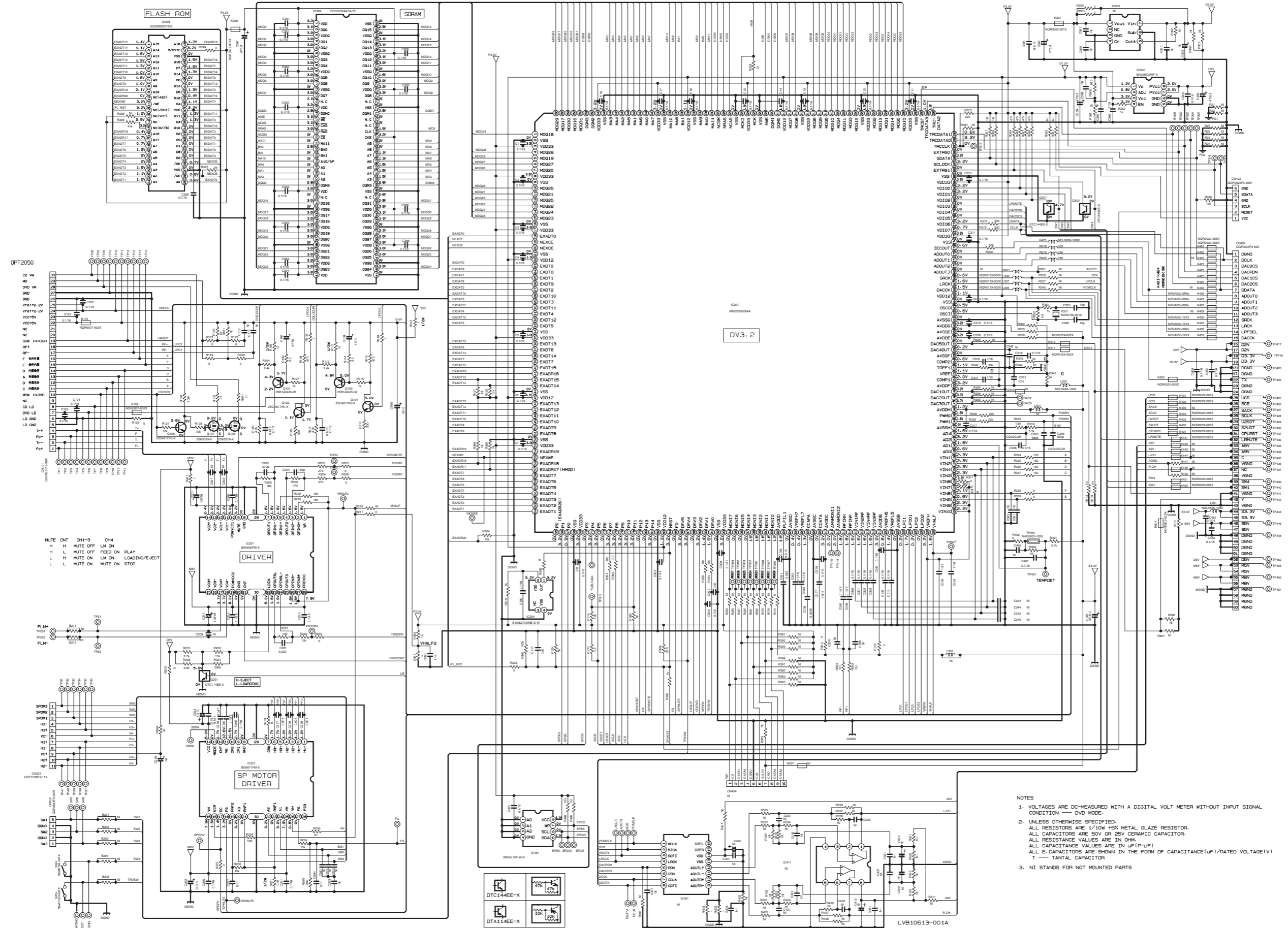


TO CN961
LVB10628

TO CN963
LVB10628

- NOTES
1. VOLTAGES ARE DC-MEASURED WITH A DIGITAL VOLT METER WITHOUT INPUT SIGNAL CONDITION - DVD MODE.
 2. UNLESS OTHERWISE SPECIFIED.
ALL RESISTORS ARE 1/10W +5% METAL GLAZE RESISTOR.
ALL CAPACITORS ARE 50V,25V CERAMIC CAPACITOR.
ALL RESISTANCE VALUES ARE IN OHM.
ALL CAPACITANCE VALUES ARE IN uF(P=pF)
ALL E-CAPACITORS ARE SHOWN IN THE FORM OF CAPACITANCE(uF)/RATED VOLTAGE(V)
F --- FILM CAPACITOR
 3. NI STANDS FOR NOT MOUNTED PARTS

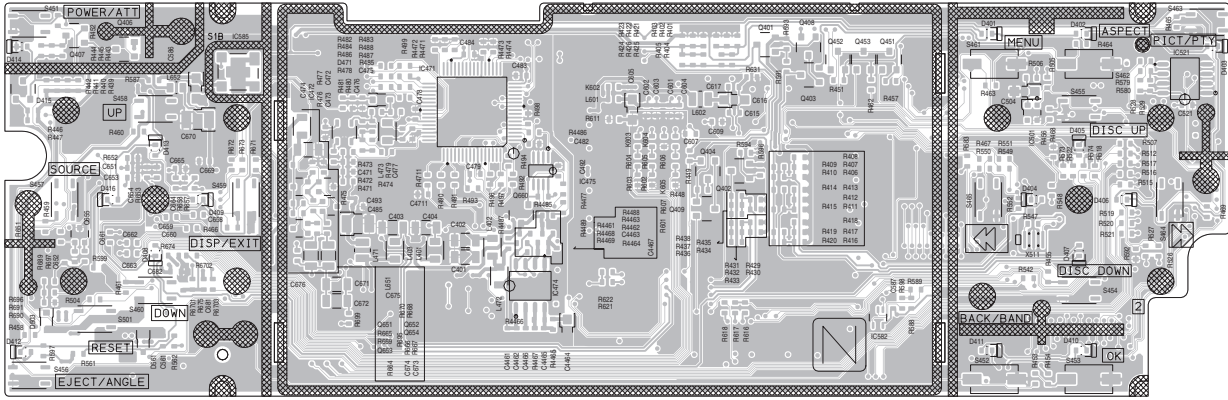
DVD section



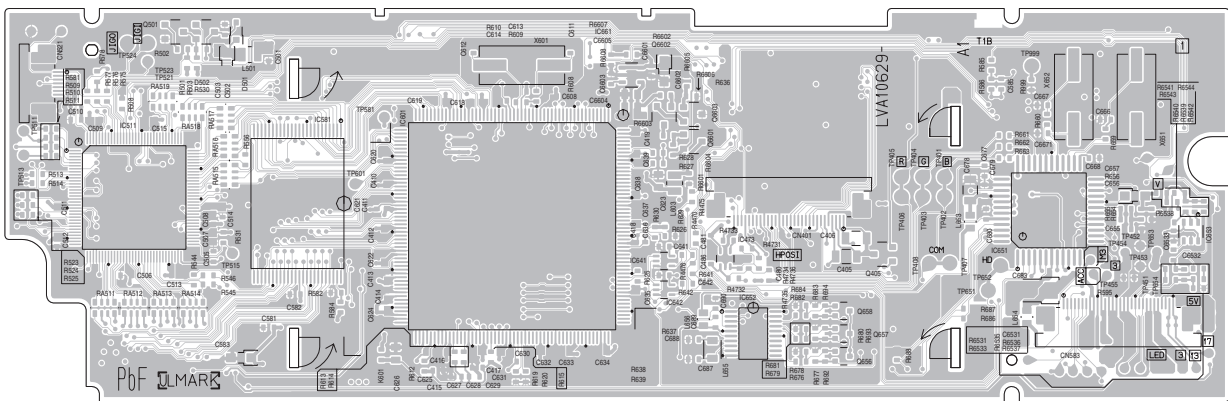
- NOTES
1. VOLTAGES ARE DC-MEASURED WITH A DIGITAL VOLT METER WITHOUT INPUT SIGNAL CONDITION — DVD MODE.
 2. UNLESS OTHERWISE SPECIFIED, ALL RESISTORS ARE 1/10W ±5% METAL GLAZE RESISTOR. ALL CAPACITORS ARE 50V OR 25V CERAMIC CAPACITOR. ALL RESISTANCE VALUES ARE IN OHM. ALL CAPACITANCE VALUES ARE IN μF (P+P). ALL E-CAPACITORS ARE SHOWN IN THE FORM OF CAPACITANCE(μF)/RATED VOLTAGE(V). T — TANTALUM CAPACITOR.
 3. NI STANDS FOR NOT MOUNTED PARTS

Panel-A board Lead free solder used in the board (material : Sn-Ag-Cu, melting point : 219 Centigrade)

Forward side

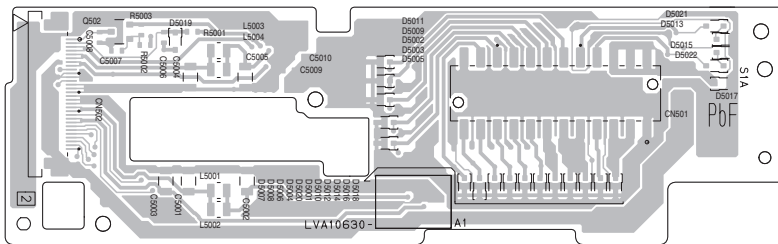


Reverse side

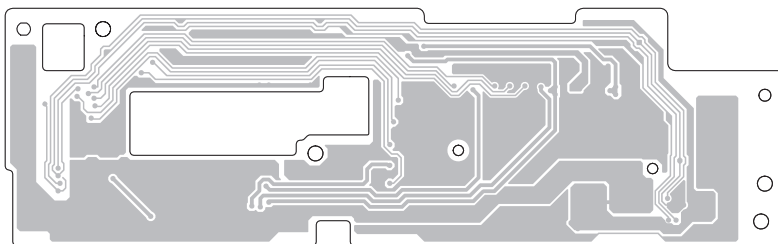


Panel-B board Lead free solder used in the board (material : Sn-Ag-Cu, melting point : 219 Centigrade)

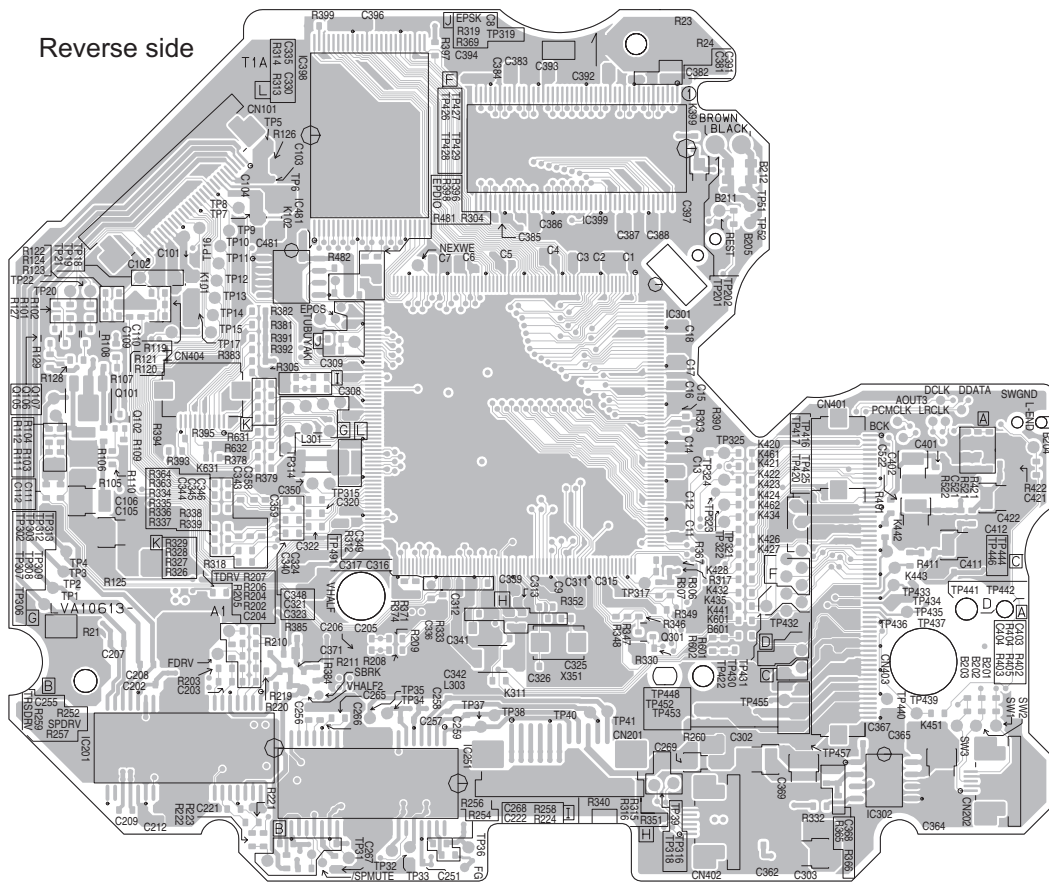
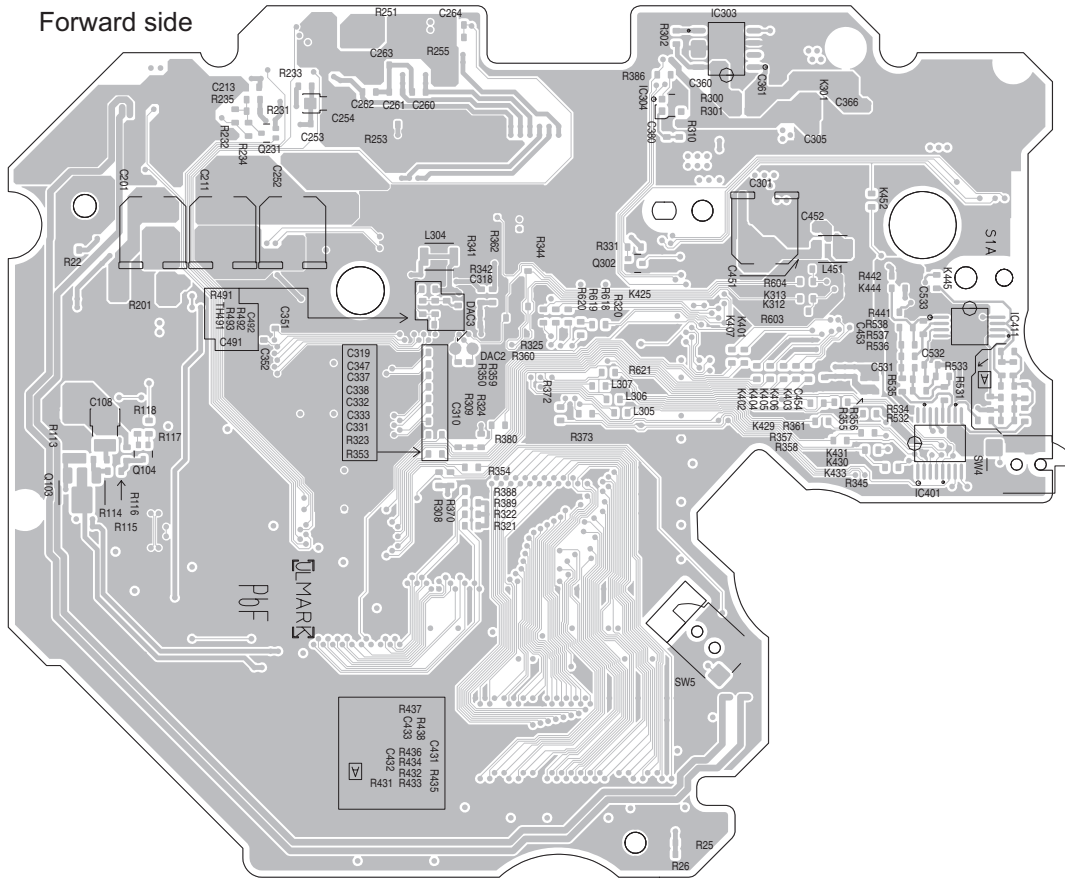
Forward side



Reverse side



DVD board Lead free solder used in the board (material : Sn-Ag-Cu, melting point : 219 Centigrade)



< MEMO >

JVC

Victor Company of Japan, Limited

Mobile Entertainment Business Group Mobile Entertainment Category 10-1, 1chome, Ohwatari-machi, Maebashi-city, Gumma-ken, 371-8543, Japan

(No.MA254SCH)



Printed in Japan
VPT

PARTS LIST

KD-AVX2J
KD-AVX2E,KD-AVX2EU,KD-AVX2EE
KD-AVX2U,KD-AVX2UN,KD-AVX2A

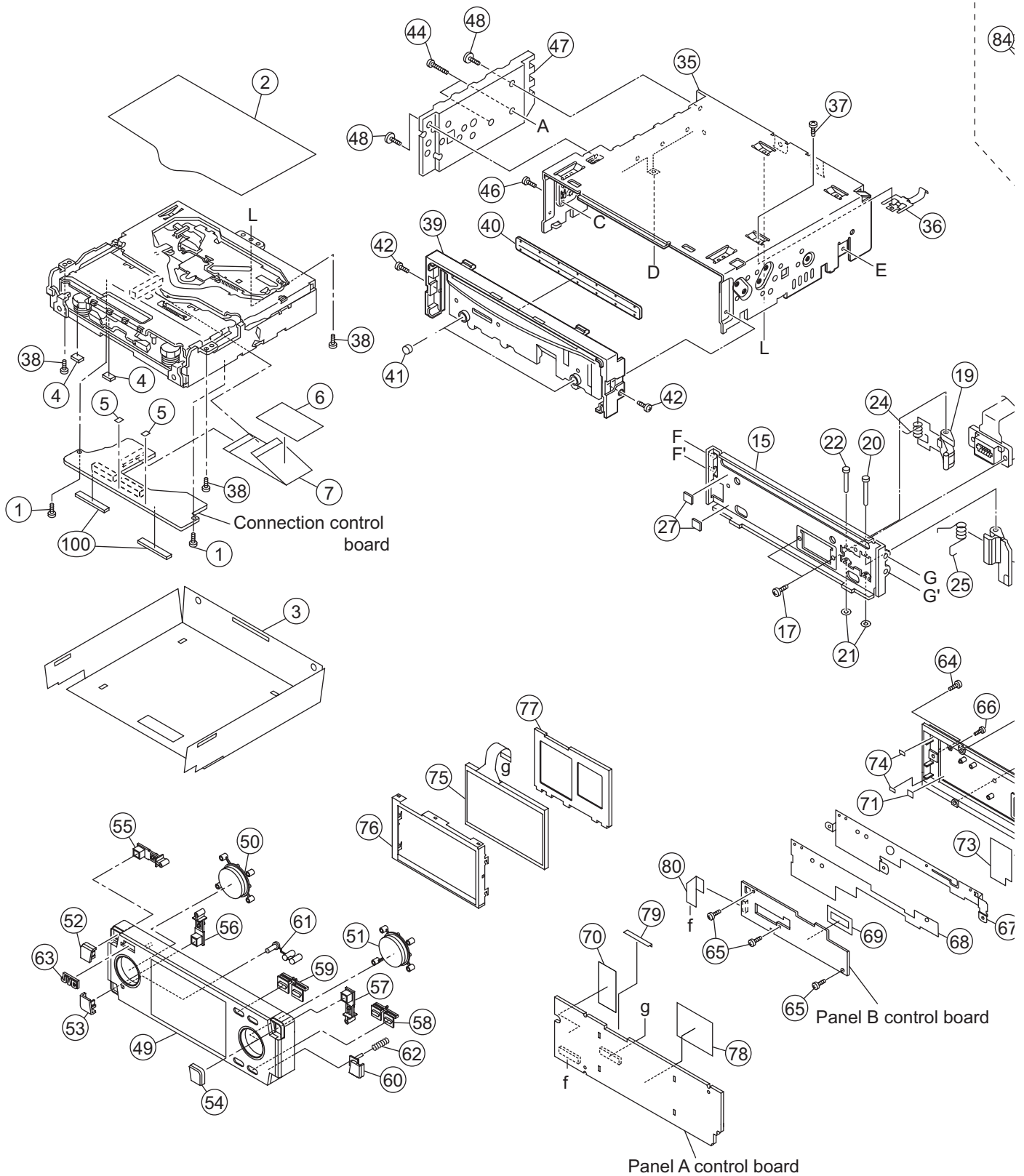
* All printed circuit boards and its assemblies are not available as service parts.

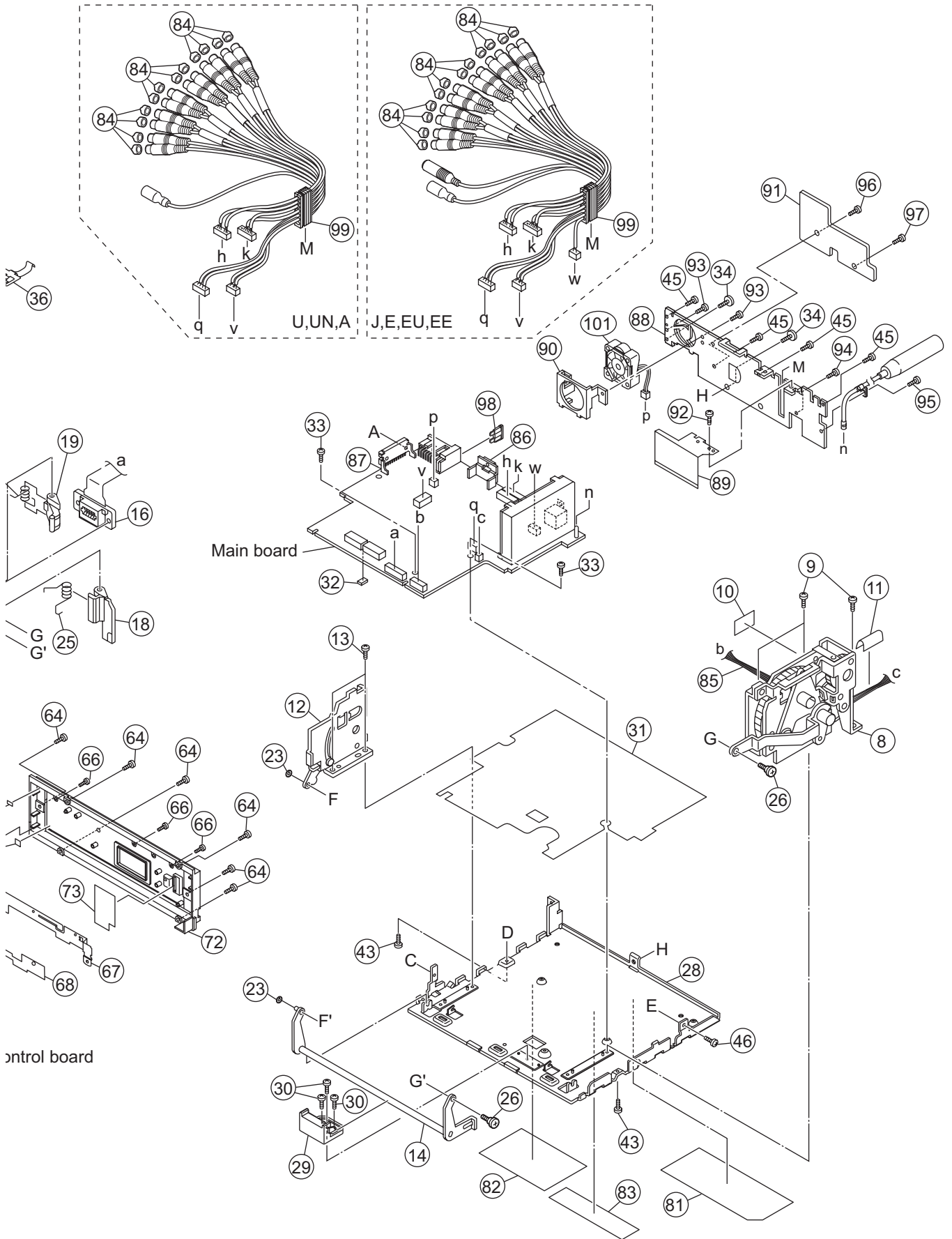
- Contents -

Exploded view of general assembly and parts list (Block No.M1)	3- 2
DVD mechanism assembly and parts list (Block No.MJ)	3- 6
Electrical parts list (Block No.01~05)	3- 9
Packing materials and accessories parts list (Block No.M3)	3-22

Exploded view of general assembly and parts list

Block No. **M 1 M M**





General Assembly

Block No. [M][1][M][M]

△	Symbol No.	Part No.	Part Name	Description	Local
	1	LV44659-001A	SPECIAL SCREW	(x2)	
	2	LV34460-001A	INSULATOR		
	3	LV36834-001A	INSULATOR(ME)		
	4	LV40849-018A	SPACER	(x2)	
	5	LV40848-069A	SPACER(P)	(x2)	
	6	LV44494-001A	PROTECT SHEET		
	7	QUQL05-6007BC-E	FFC WIRE	60pin 7cm	
	8	GE20156-001A	GEAR BKT UNIT		
	9	LV40865-002A	SCREW	(x3)	
	10	LV40847-002A	SPACER		
	11	FSYH4036-100	SHEET		
	12	GE30968-002A	LEVER BKT UNIT		
	13	LV40865-002A	SCREW	(x2)	
	14	GE30964-003A	LOWER LEVER ASS		
	15	LV36626-001A	FRONT BKT ASSY		
	16	QNZ0836-002	CAR CONNECTOR		
	17	QYSPSGU2040ZA	TAP SCREW	M2 x 4mm(x2)	
	18	LV35484-001A	DETACH LEVER		
	19	GE30973-001A	KICK LEVER		
	20	GE40192-002A	SHAFT		
	21	QYWDL123525	SLIT WASHER	3.5mm/1.2mm x 0.25mm(x2)	
	22	GE40193-002A	SHAFT		
	23	QYWDL215025	SLIT WASHER	5mm/2.1mm x 0.25mm(x2)	
	24	GE40194-001A	T SPRING		
	25	GE40195-002A	T SPRING		
	26	LV42181-002A	SPECIAL SCREW	(x2)	
	27	LV43971-001A	ABSORBER	(x2)	
	28	LV11219-001A	BOTTOM CHASSIS		
	29	LV36625-001A	FPC GUIDE		
	30	LV40865-002A	SCREW	(x3)	
	31	LV36627-002A	INSULATOR		
	32	LV40849-019A	SPACER(R)		
	33	LV41200-004A	SPECIAL SCREW	(x2)	
	34	LV41200-004A	SPECIAL SCREW	(x2)	
	35	LV10970-004A	TOP CHASSIS		
	36	LV35751-001A	EARTH SPRING		
	37	QYSDST2604ZA	TAP SCREW	M2.6 x 4mm	
	38	QYSDST2604ZA	TAP SCREW	M2.6 x 4mm(x3)	
	39	LV36623-001A	F.CHASSIS ASSY		
	40	GE40156-001A	BLIND		
	41	GE40196-002A	ABSORBER	(x2)	
	42	QYSPSP2003ZA	SCREW	M2 x 3mm(x2)	
	43	GE40235-001A	SCREW	(x2)	
	44	QYSDST2614ZA	TAP SCREW	M2.6 x 14mm(x2)	
	45	LV41200-004A	SPECIAL SCREW	(x4)	
	46	LV41200-004A	SPECIAL SCREW	(x2)	
	47	LV35331-003A	SIDE HEAT SINK		
	48	GE40235-001A	SCREW	(x2)	
	49	LV22259-001A	PANEL ASSY		J
	49	LV22259-002A	PANEL ASSY		E,EU,EE
	49	LV22259-003A	PANEL ASSY		U,UN,A
	50	LV36638-001A	BUTTON ASSY(+)		
	51	LV36639-001A	BUTTON ASSY(UD)		
	52	LV36632-001A	CAP(POWER)		
	53	LV36633-001A	CAP(EJECT)		
	54	LV36634-001A	CAP (T/P)		
	55	LV36635-002A	BUTTON (POWER)		
	56	LV36636-001A	BUTTON (EJECT)		
	57	LV36637-001A	BUTTON (T/P)		
	58	LV36630-001A	BUTTON(OK)		
	59	LV36631-001A	BUTTON(MENU)		
	60	LV36628-001A	BUTTON(DETACH)		
	61	LV36629-001A	BUTTON(RESET)		
	62	LV44055-001A	COMPRESSION SPRING		
	63	LV43184-002A	JVC BADGE		
	64	VKZ4777-010	MINI SCREW	(x6)	
	65	VKZ4777-011	MINI SCREW	(x3)	
	66	QYSPSPU1730ZA	SCREW	M1.7 x 3mm(x3)	
	67	LV22260-001A	EARTH PLATE		
	68	LV36835-001A	INSULATOR		
	69	LV44569-001A	SW PWB SHEET		
	70	LV40847-033A	SPACER(H)		
	71	VYSH101-009	SPACER		
	72	LV11224-001A	REAR COVER		

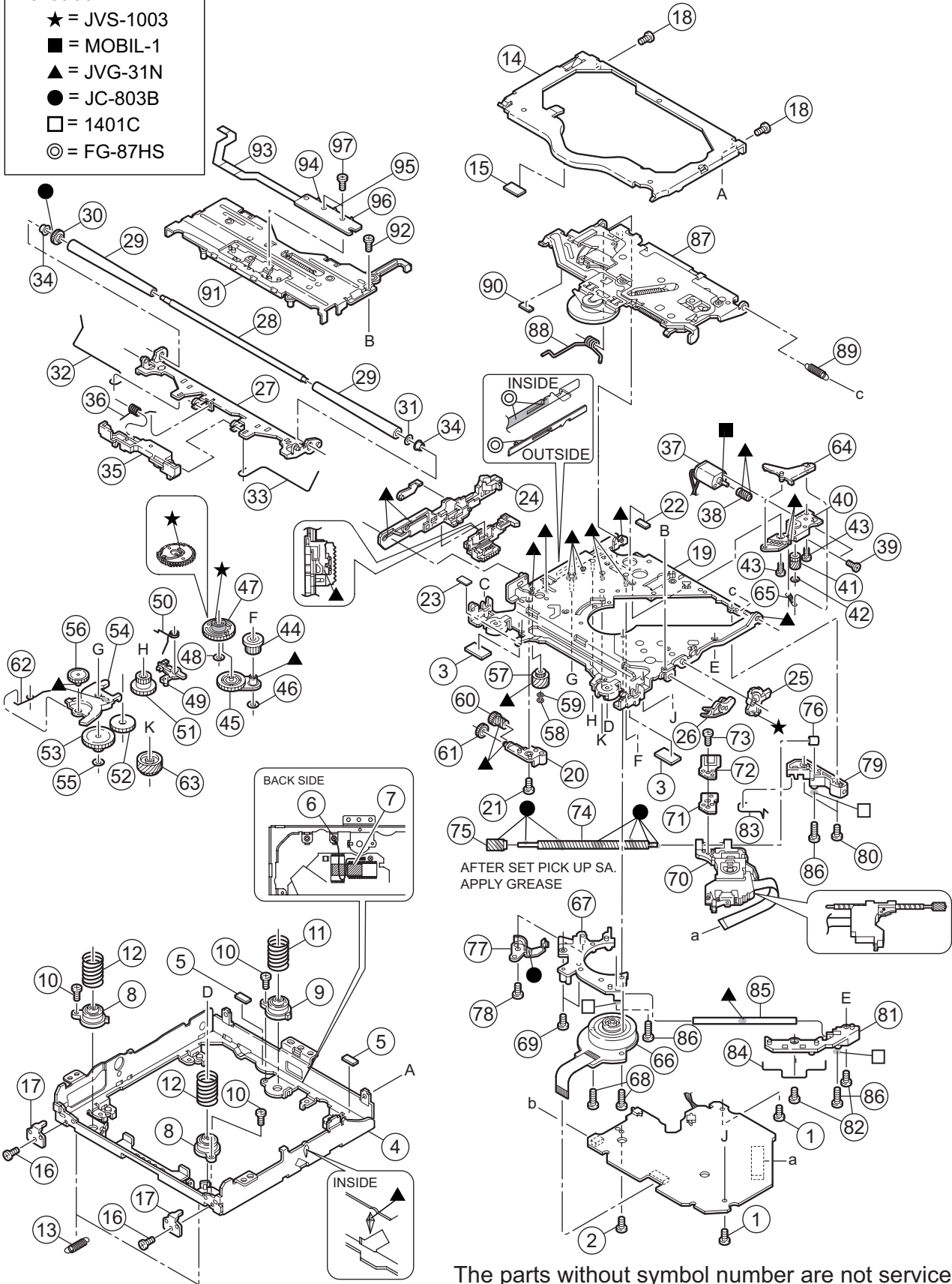
△	Symbol No.	Part No.	Part Name	Description	Local
	73	LV44644-001A	STATIC SHEET		
	74	LV44646-002A	SPACER(PWB)	(x2)	
	75	QLD0400-001	LCD MODULE		
	76	LV22262-001A	TFT CASE		
	77	LV22263-001A	TFT HOLDER		
	78	LV44645-002A	EMC SHEET		
	79	LV44613-001A	SPACER(FPC)		
	80	WJT0206-001A-E	E-CARD WIRE		
	81	LV36761-001A	NAME PLATE		J
	81	LV36762-003A	NAME PLATE		E
	81	LV36950-001A	NAME PLATE		EU,EE
	81	LV36763-001A	NAME PLATE		U,UN,A
	82	LV36920-001A	DVD LABEL)		J
	82	LV36920-002A	DVD LABEL		E,EU
	82	LV36920-005A	DVD LABEL		EE
	82	LV36920-003A	LABEL(DVD)		U,UN
	82	LV36920-004A	LABEL(DVD)		A
	83	LV41843-002A	LASER CAUTION		E,EU,EE,U,UN,A
	84	GE40101-001A	PIN CAP	(x12)	
	85	QJJ010-040904-E	SIN CR C-C WIR		
	86	LV41993-002A	REG BKT		
	87	LV43967-001A	IC BRACKET		
	88	LV36743-001A	REAR BRACKET		
	89	LV36747-001A	WIRE BRACKET		
	90	LV43966-001A	FAN BRACKET		
	91	LV36742-001A	REAR HEAT SINK		
	92	QYSDST2606ZA	TAP SCREW	M2.6 x 6mm	
	93	QYSDST2606ZA	TAP SCREW	M2.6 x 6mm(x2)	
	94	QYSDST2606ZA	TAP SCREW	M2.6 x 6mm	
	95	QYSDST2606ZA	TAP SCREW	M2.6 x 6mm	
	96	GE40235-001A	SCREW		
	97	QYSDST2606ZA	TAP SCREW	M2.6 x 6mm	
△	98	QMFZ039-150-T	FUSE	15A	
	99	QAM0702-002	CAR CABLE		J,E,EU,EE
	99	QAM0703-002	CAR CABLE		U,UN,A
	100	LV44568-001A	SPACER(ME)	(x2)	
	101	QAR0294-001	FAN MOTOR		

DVD mechanism assembly and parts list

FMU-JD6-31D

Block No. M J M M

- Grease**
- ★ = JVS-1003
 - = MOBIL-1
 - ▲ = JVG-31N
 - = JC-803B
 - = 1401C
 - ◎ = FG-87HS



DVD mechanism

Block No. [M][J][M][M]

△	Symbol No.	Part No.	Part Name	Description	Local
	1	VKZ4539-056	MINI SCREW	(x2)	
	2	QYSPSFT2040ZA	TAP SCREW	M2 x 4mm	
	3	LV43481-001A	COOLING RUBBER	(x2)	
	4	LV10674-001A	CHASSIS FRAME		
	5	LV30225-0J6A	SPACER	(x2)	
	6	VKZ4539-056	MINI SCREW		
	7	VYSA1R4-056	SPACER		
	8	LV35272-001A	DAMPER(F)	(x2)	
	9	LV35273-001A	DAMPER(R)		
	10	QYSDST2005ZA	TAP SCREW	M2 x 5mm(x3)	
	11	LV43039-001A	DAMPER SP.(R)		
	12	LV43849-001A	DAMPER SP(F2)	(x2)	
	13	LV43041-001A	FLOATING SPRING	(x2)	
	14	LV10675-001A	TOP COVER		
	15	LV30225-0J5A	SPACER		
	16	VKZ4539-056	MINI SCREW	(x2)	
	17	LV33669-001A	STOPPER	(x2)	
	18	VKZ4539-056	MINI SCREW	(x2)	
	19	LV21297-004A	CHAS. BASE ASSY		
	20	LV33608-002A	GEAR HOLDER		
	21	VKZ4539-056	MINI SCREW		
	22	LV43561-002A	ABSORBER		
	23	LV30225-0J5A	SPACER		
	24	LV36831-001A	SLIDE CAM ASSY2		
	25	LV33610-002A	FLOATING ARM		
	26	LV33611-001A	CONNECT ARM		
	27	LV33678-003A	LOADING A. ASSY		
	28	LV43049-001A	LOADING SHAFT		
	29	LV43052-003A	ROLLER	(x2)	
	30	LV33612-001A	LOADING GEAR		
	31	QYWFM124013	WASHER	4mm/1.2mm x 0.13mm	
	32	LV43053-002A	ROD(L)		
	33	LV43054-003A	ROD(R)		
	34	LV43001-001A	COLLAR	(x2)	
	35	LV21285-003A	PROTECTOR		
	36	LV43055-001A	PROTECTOR SP.		
	37	QAR0373-001	MOTOR		
	38	LV43002-002A	WORM GEAR		
	39	QYSPSPT2025MA	SCREW	M2 x 2.5mm(x2)	
	40	LV33679-001A	MOTOR H. ASSY		
	41	LV33614-003A	WORM WHEEL		
	42	QYWDL1230250	SLIT WASHER	3mm/1.2mm x 0.25mm	
	43	VKZ4539-056	MINI SCREW	(x2)	
	44	LV33615-001A	GEAR 2		
	45	LV43057-004A	IDLER ARM ASSY		
	46	QYWDL1635252	SLIT WASHER	3.5mm/1.6mm x 0.25mm	
	47	LV21286-001A	CONTROL CAM		
	48	QYWDL1230196	SLIT WASHER	3mm/1.2mm x 0.19mm	
	49	LV33616-002A	LOAD.LOCK LEVER		
	50	LV43060-001A	CAM SPRING		
	51	LV43005-001A	GEAR 4		
	52	LV43006-002A	GEAR 5		
	53	LV33617-002A	GEAR 6		
	54	LV33618-002A	LOADING G. ARM		
	55	QYWDL1635252	SLIT WASHER	3.5mm/1.6mm x 0.25mm	
	56	LV43007-002A	GEAR 7		
	57	LV33619-002A	GEAR 8		
	58	LV42132-001A	E RING		
	59	QYWFM215013	WASHER	5mm/2.1mm x 0.13mm	
	60	LV33620-001A	GEAR 9		
	61	LV43008-001A	GEAR10		
	62	LV43061-001A	LOAD SPRING		
	63	LV33621-001A	FEED GEAR		
	64	LV33622-002A	TRIGGER ARM		
	65	LV43062-001A	FEED TRI.SPRING		
	66	QAR0240-002	SPINDLE MOTOR		
	67	LV21287-002A	SPINDLE BASE		
	68	LV44169-001A	SPECIAL SCREW	(x2)	
	69	VKZ4539-056	MINI SCREW	(x2)	
	70	QAL0742-001	DVD PICK UP		
	71	LV34583-002A	CD RACK PLATE		
	72	LV34579-001A	CD RACK SPRING		
	73	LV43903-002A	MINI TAP SCREW		
	74	LV43037-001A	LEAD SCREW		

Symbol No.	Part No.	Part Name	Description	Local
75	LV43010-001A	L.S.GEAR		
76	LV43063-001A	L.S.COLLAR		
77	LV43011-001A	THRUST SPRING		
78	QYSPSFT2040ZA	TAP SCREW	M2 x 4mm	
79	LV33624-001A	HOLDER(M)		
80	VKZ4539-056	MINI SCREW	(x2)	
81	LV22130-001A	HOLDER(S) 2		
82	VKZ4539-056	MINI SCREW	(x2)	
83	LV43064-001A	ROD(M)		
84	LV43065-001A	ROD(S)		
85	LV43066-001A	SUB SHAFT		
86	VKZ4730-002	SPECIAL SCREW	(x3)	
87	LV21298-007A	CLAMPER UNIT		
88	LV43070-001A	CLAMPER SPRING		
89	LV43355-001A	CLAMPER2 SPRING		
90	LV30225-0J6A	SPACER		
91	LV22185-001A	FRONT UNIT (C)		
92	VKZ4539-056	MINI SCREW		
93	LVB30012-002A	SW FPC		
94	NSW0187-001	SWITCH	S1	
95	NSW0187-001	SWITCH	S1	
96	NSW0187-001	SWITCH	S1	
97	VKZ4539-055	MINI SCREW	(x2)	

△ Symbol No.	Part No.	Part Name	Description	Local	△ Symbol No.	Part No.	Part Name	Description	Local
D974	UDZW6.2B-X	Z DIODE			C261	QERF1EM-475Z	E CAPACITOR	4.7uF 25V M	
D974	or MA8062-X	Z DIODE			C262	NDC31HJ-101X	C CAPACITOR	100pF 50V J	
D975	UDZW6.2B-X	Z DIODE			C265	NCB31HK-102X	C CAPACITOR	1000pF 50V K	
D975	or MA8062-X	Z DIODE			C272	NFV81CM-105X	MF CAPACITOR	1uF 16V M	
D976	UDZW6.2B-X	Z DIODE			C273	NDC31HJ-101X	C CAPACITOR	100pF 50V J	
D976	or MA8062-X	Z DIODE			C274	NDC31HJ-101X	C CAPACITOR	100pF 50V J	
D981	CRS03-W	SB DIODE			C282	NFV81CM-105X	MF CAPACITOR	1uF 16V M	
D982	CRS03-W	SB DIODE		J,U,U N,A	C283	NDC31HJ-101X	C CAPACITOR	100pF 50V J	
D983	CRS03-W	SB DIODE		J,U,U N,A	C284	NDC31HJ-101X	C CAPACITOR	100pF 50V J	
D984	CRS03-W	SB DIODE			C291	QERF1EM-475Z	E CAPACITOR	4.7uF 25V M	
D991	LSQ971/KL-X	LED			C292	QERF1EM-475Z	E CAPACITOR	4.7uF 25V M	
C1	NDC31HJ-331X	C CAPACITOR	330pF 50V J		C315	NCB31CK-473X	C CAPACITOR	0.047uF 16V K	
C2	NDC31HJ-331X	C CAPACITOR	330pF 50V J		C321	QERF1AM-107Z	E CAPACITOR	100uF 10V M	
C3	QERF1AM-227Z	E CAPACITOR	220uF 10V M		C322	NCB31CK-473X	C CAPACITOR	0.047uF 16V K	
C4	NCB31CK-104X	C CAPACITOR	0.1uF 16V K		C323	QERF1CM-106Z	E CAPACITOR	10uF 16V M	
C5	QERF0JM-476Z	E CAPACITOR	47uF 6.3V M		C324	QERF1HM-105Z	E CAPACITOR	1uF 50V M	
C6	NCB31CK-104X	C CAPACITOR	0.1uF 16V K		C325	NBE21AM-226X	TA E CAPACITOR	22uF 10V M	
C7	NCB31CK-224X	C CAPACITOR	0.22uF 16V K		C326	NCB31HK-103X	C CAPACITOR	0.01uF 50V K	
C8	NCB31CK-104X	C CAPACITOR	0.1uF 16V K		C327	QERF1CM-226Z	E CAPACITOR	22uF 16V M	
C15	NDC31HJ-5R0X	C CAPACITOR	5pF 50V J		C330	QERF1EM-475Z	E CAPACITOR	4.7uF 25V M	
C31	NCB31HK-103X	C CAPACITOR	0.01uF 50V K	E,EU, EE	C331	NCB31HK-103X	C CAPACITOR	0.01uF 50V K	
C32	NBE41CM-226X	TA E CAPACITOR	22uF 16V M	E,EU, EE	C332	QERF1CM-226Z	E CAPACITOR	22uF 16V M	
C33	NDC31HJ-330X	C CAPACITOR	33pF 50V J	E,EU, EE	C333	NCB31CK-823X	C CAPACITOR	0.082uF 16V K	
C34	NDC31HJ-330X	C CAPACITOR	33pF 50V J	E,EU, EE	C334	NBE41AM-476X	TA E CAPACITOR	47uF 10V M	
C35	NDC31HJ-561X	C CAPACITOR	560pF 50V J	E,EU, EE	C335	QERF1EM-475Z	E CAPACITOR	4.7uF 25V M	
C36	NCB31HK-103X	C CAPACITOR	0.01uF 50V K	E,EU, EE	C336	NCB31CK-333X	C CAPACITOR	0.033uF 16V K	
C37	NCB10JK-106X	C CAPACITOR	10uF 6.3V K	E,EU, EE	C337	NDC31HJ-221X	C CAPACITOR	220pF 50V J	
C38	NDC31HJ-331X	C CAPACITOR	330pF 50V J	E,EU, EE	C338	QERF1EM-475Z	E CAPACITOR	4.7uF 25V M	
C106	QERF1EM-475Z	E CAPACITOR	4.7uF 25V M		C339	NCB31CK-104X	C CAPACITOR	0.1uF 16V K	
C108	NDC31HJ-101X	C CAPACITOR	100pF 50V J		C341	NCB31HK-102X	C CAPACITOR	1000pF 50V K	
C112	QERF1EM-475Z	E CAPACITOR	4.7uF 25V M		C343	NCB31CK-473X	C CAPACITOR	0.047uF 16V K	
C113	NDC31HJ-821X	C CAPACITOR	820pF 50V J		C344	NDC31HJ-101X	C CAPACITOR	100pF 50V J	
C115	NDC31HJ-101X	C CAPACITOR	100pF 50V J		C345	QERF1EM-475Z	E CAPACITOR	4.7uF 25V M	
C120	QERF1HM-105Z	E CAPACITOR	1uF 50V M		C362	NCB31CK-223X	C CAPACITOR	0.022uF 16V K	
C121	QERF1HM-105Z	E CAPACITOR	1uF 50V M		C371	NCB31HK-103X	C CAPACITOR	0.01uF 50V K	
C122	QERF1HM-105Z	E CAPACITOR	1uF 50V M		C372	QERF1CM-106Z	E CAPACITOR	10uF 16V M	
C124	QERF1HM-105Z	E CAPACITOR	1uF 50V M		C373	QERF1CM-106Z	E CAPACITOR	10uF 16V M	
C125	NCB31CK-823X	C CAPACITOR	0.082uF 16V K		C374	NCB31HK-103X	C CAPACITOR	0.01uF 50V K	
C126	NCB31CK-823X	C CAPACITOR	0.082uF 16V K		C375	QERF1CM-476Z	E CAPACITOR	47uF 16V M	
C127	NBE41AM-476X	TA E CAPACITOR	47uF 10V M		C376	NBE41CM-226X	TA E CAPACITOR	22uF 16V M	
C129	QERF1EM-475Z	E CAPACITOR	4.7uF 25V M		C377	NCB21AK-225X	C CAPACITOR	2.2uF 10V K	
C151	QERF1EM-475Z	E CAPACITOR	4.7uF 25V M		C378	QERF1CM-106Z	E CAPACITOR	10uF 16V M	
C152	NDC31HJ-101X	C CAPACITOR	100pF 50V J		C391	QERF1EM-475Z	E CAPACITOR	4.7uF 25V M	
C161	QERF1EM-475Z	E CAPACITOR	4.7uF 25V M		C701	NCB31CK-473X	C CAPACITOR	0.047uF 16V K	
C162	NDC31HJ-101X	C CAPACITOR	100pF 50V J		C703	NDC31HJ-471X	C CAPACITOR	470pF 50V J	
C165	NCB31HK-102X	C CAPACITOR	1000pF 50V K		C704	NDC31HJ-471X	C CAPACITOR	470pF 50V J	
C172	NFV81CM-105X	MF CAPACITOR	1uF 16V M		C705	NBE21AM-226X	TA E CAPACITOR	22uF 10V M	
C173	NDC31HJ-101X	C CAPACITOR	100pF 50V J		C706	NDC31HJ-8R0X	C CAPACITOR	8pF 50V J	
C174	NDC31HJ-101X	C CAPACITOR	100pF 50V J		C707	NDC31HJ-270X	C CAPACITOR	27pF 50V J	
C182	NFV81CM-105X	MF CAPACITOR	1uF 16V M		C708	NDC31HJ-270X	C CAPACITOR	27pF 50V J	
C183	NDC31HJ-101X	C CAPACITOR	100pF 50V J		C709	NDC31HJ-220X	C CAPACITOR	22pF 50V J	
C184	NDC31HJ-101X	C CAPACITOR	100pF 50V J		C710	QETN0JM-108Z	E CAPACITOR	1000uF 6.3V M	
C191	QERF1EM-475Z	E CAPACITOR	4.7uF 25V M		C711	NCB31CK-104X	C CAPACITOR	0.1uF 16V K	
C192	QERF1EM-475Z	E CAPACITOR	4.7uF 25V M		C712	NCB31HK-102X	C CAPACITOR	1000pF 50V K	
C206	QERF1EM-475Z	E CAPACITOR	4.7uF 25V M		C713	NCB10JK-106X	C CAPACITOR	10uF 6.3V K	
C208	NDC31HJ-101X	C CAPACITOR	100pF 50V J		C721	NDC31HJ-471X	C CAPACITOR	470pF 50V J	
C212	QERF1EM-475Z	E CAPACITOR	4.7uF 25V M		C731	NCB31HK-103X	C CAPACITOR	0.01uF 50V K	
C213	NDC31HJ-821X	C CAPACITOR	820pF 50V J		C732	NBE21CM-106X	TA E CAPACITOR	10uF 16V M	
C215	NDC31HJ-101X	C CAPACITOR	100pF 50V J		C741	NCB31HK-103X	C CAPACITOR	0.01uF 50V K	
C220	QERF1HM-105Z	E CAPACITOR	1uF 50V M		C801	QERF1CM-106Z	E CAPACITOR	10uF 16V M	
C221	QERF1HM-105Z	E CAPACITOR	1uF 50V M		C802	NCB31CK-104X	C CAPACITOR	0.1uF 16V K	
C222	QERF1HM-105Z	E CAPACITOR	1uF 50V M		C803	QERF1AM-227Z	E CAPACITOR	220uF 10V M	
C224	QERF1HM-105Z	E CAPACITOR	1uF 50V M		C804	NCB31CK-104X	C CAPACITOR	0.1uF 16V K	
C225	NCB31CK-823X	C CAPACITOR	0.082uF 16V K		C805	NCB31HK-103X	C CAPACITOR	0.01uF 50V K	
C226	NCB31CK-823X	C CAPACITOR	0.082uF 16V K		C806	QERF1AM-227Z	E CAPACITOR	220uF 10V M	
C229	QERF1EM-475Z	E CAPACITOR	4.7uF 25V M		C807	QERF1CM-226Z	E CAPACITOR	22uF 16V M	
C251	QERF1EM-475Z	E CAPACITOR	4.7uF 25V M		C808	NCB31HK-102X	C CAPACITOR	1000pF 50V K	
C252	NDC31HJ-101X	C CAPACITOR	100pF 50V J		C809	NCB31CK-104X	C CAPACITOR	0.1uF 16V K	
					C811	NCB21CK-105X	C CAPACITOR	1uF 16V K	
					C812	NCJ11EK-106X-R	C CAPACITOR	10uF 25V	
					C812	or NCJ11EK-106X-A	C CAPACITOR	10uF 25V K	
					C813	NDC31HJ-561X	C CAPACITOR	560pF 50V J	
					C814	NCB10JK-106X	C CAPACITOR	10uF 6.3V K	
					C815	QEZ0828-337Z	E CAPACITOR	330uF	
					C816	NCB31AK-474X	C CAPACITOR	0.47uF 10V K	
					C817	NDC31HJ-471X	C CAPACITOR	470pF 50V J	
					C818	NCB31CK-104X	C CAPACITOR	0.1uF 16V K	
					C819	QEDS1CM-337	E CAPACITOR	330uF 16V M	

△ Symbol No.	Part No.	Part Name	Description	Local	△ Symbol No.	Part No.	Part Name	Description	Local
C820	QERF1CM-226Z	E CAPACITOR	22uF 16V M		C8814	NCB31HK-103X	C CAPACITOR	0.01uF 50V K	
C821	NBE21CM-106X	TA E CAPACITOR	10uF 16V M		C8815	NCB11EK-105X	C CAPACITOR	1uF 25V K	
C822	NBE21CM-106X	TA E CAPACITOR	10uF 16V M		C8816	NCB31EK-104X	C CAPACITOR	0.1uF 25V K	
C823	NCB31CK-104X	C CAPACITOR	0.1uF 16V K		C8818	NCJ11EK-106X-R	C CAPACITOR	10uF 25V	
C824	NCB31HK-472X	C CAPACITOR	4700pF 50V K		C8818	or NCJ11EK-106X-A	C CAPACITOR	10uF 25V K	
C825	NCB31HK-182X	C CAPACITOR	1800pF 50V K		C8819	NCJ11EK-106X-R	C CAPACITOR	10uF 25V	
C826	NBE41CM-226X	TA E CAPACITOR	22uF 16V M		C8819	or NCJ11EK-106X-A	C CAPACITOR	10uF 25V K	
C827	QEZ0828-337Z	E CAPACITOR	330uF		C9901	NCB31HK-103X	C CAPACITOR	0.01uF 50V K	
C830	NCB31CK-105X	C CAPACITOR	1uF 16V K		C9902	NCB31CK-104X	C CAPACITOR	0.1uF 16V K	
C831	NBE41AM-476X	TA E CAPACITOR	47uF 10V M		C9903	NCB31HK-103X	C CAPACITOR	0.01uF 50V K	
C832	NCB31CK-104X	C CAPACITOR	0.1uF 16V K		C9904	NCB31HK-103X	C CAPACITOR	0.01uF 50V K	
C833	NCB31CK-104X	C CAPACITOR	0.1uF 16V K		C9905	NCB31CK-104X	C CAPACITOR	0.1uF 16V K	
C834	NCB31HK-103X	C CAPACITOR	0.01uF 50V K		C9907	NCB31CK-104X	C CAPACITOR	0.1uF 16V K	
C835	NCJ11EK-106X-R	C CAPACITOR	10uF 25V		C9908	NCB31HK-103X	C CAPACITOR	0.01uF 50V K	
C835	or NCJ11EK-106X-A	C CAPACITOR	10uF 25V K						
C836	NCB31HK-103X	C CAPACITOR	0.01uF 50V K		R1	NRSA63J-101X	MG RESISTOR	100Ω 1/16W J	
C837	QEZ0828-337Z	E CAPACITOR	330uF		R2	NRSA63J-101X	MG RESISTOR	100Ω 1/16W J	
C838	NCB31HK-103X	C CAPACITOR	0.01uF 50V K		R3	NRSA63J-332X	MG RESISTOR	3.3kΩ 1/16W J	
C839	NCB31CK-104X	C CAPACITOR	0.1uF 16V K		R4	NRSA63J-102X	MG RESISTOR	1kΩ 1/16W J	
C841	QERF1CM-476Z	E CAPACITOR	47uF 16V M		R5	NRSA63J-223X	MG RESISTOR	22kΩ 1/16W J	
C842	QERF0JM-476Z	E CAPACITOR	47uF 6.3V M		R6	NRSA63J-223X	MG RESISTOR	22kΩ 1/16W J	
C843	QERF0JM-476Z	E CAPACITOR	47uF 6.3V M		R7	NRSA63J-223X	MG RESISTOR	22kΩ 1/16W J	
C844	QERF0JM-476Z	E CAPACITOR	47uF 6.3V M		R35	NRSA63J-0R0X	MG RESISTOR	0Ω 1/16W J	E,EU,EE
C845	NCB31CK-104X	C CAPACITOR	0.1uF 16V K						E,EU,EE
C847	QERF1CM-226Z	E CAPACITOR	22uF 16V M		R36	NRSA63J-222X	MG RESISTOR	2.2kΩ 1/16W J	E,EU,EE
C848	QERF1CM-106Z	E CAPACITOR	10uF 16V M						E,EU,EE
C849	QERF1CM-106Z	E CAPACITOR	10uF 16V M		R37	NRSA63J-222X	MG RESISTOR	2.2kΩ 1/16W J	E,EU,EE
C851	NCB31CK-104X	C CAPACITOR	0.1uF 16V K						
C861	NCB31CK-104X	C CAPACITOR	0.1uF 16V K		R40	NRSA63J-6R8X	MG RESISTOR	6.8Ω 1/16W J	
C863	NCB31CK-104X	C CAPACITOR	0.1uF 16V K		R41	NRSA63J-6R8X	MG RESISTOR	6.8Ω 1/16W J	
C865	NCB31CK-104X	C CAPACITOR	0.1uF 16V K		R107	NRSA63J-473X	MG RESISTOR	47kΩ 1/16W J	
C866	NCB31CK-104X	C CAPACITOR	0.1uF 16V K		R108	NRSA63J-102X	MG RESISTOR	1kΩ 1/16W J	
C881	QERF1AM-107Z	E CAPACITOR	100uF 10V M		R109	NRSA63J-101X	MG RESISTOR	100Ω 1/16W J	
C882	NCB31CK-473X	C CAPACITOR	0.047uF 16V K		R110	NRSA63J-222X	MG RESISTOR	2.2kΩ 1/16W J	
C901	QEZ0723-338	E CAPACITOR	3300uF		R111	NRSA63J-103X	MG RESISTOR	10kΩ 1/16W J	
C902	QERF1HM-225Z	E CAPACITOR	2.2uF 50V M		R113	NRSA63J-103X	MG RESISTOR	10kΩ 1/16W J	J
C921	NCB31CK-823X	C CAPACITOR	0.082uF 16V K						E,EU,EE,U,UN,A
C924	QERF0JM-337Z	E CAPACITOR	330uF 6.3V M		R113	NRSA63J-273X	MG RESISTOR	27kΩ 1/16W J	
C925	NCB31CK-823X	C CAPACITOR	0.082uF 16V K						
C931	NCB31CK-104X	C CAPACITOR	0.1uF 16V K		R115	NRSA63J-473X	MG RESISTOR	47kΩ 1/16W J	
C932	NCB31CK-473X	C CAPACITOR	0.047uF 16V K		R116	NRSA63J-222X	MG RESISTOR	2.2kΩ 1/16W J	
C933	QERF1AM-227Z	E CAPACITOR	220uF 10V M		R121	NRSA63J-103X	MG RESISTOR	10kΩ 1/16W J	
C934	QERF0JM-337Z	E CAPACITOR	330uF 6.3V M		R122	NRSA63J-103X	MG RESISTOR	10kΩ 1/16W J	
C935	NCB31CK-104X	C CAPACITOR	0.1uF 16V K		R123	NRSA63J-223X	MG RESISTOR	22kΩ 1/16W J	
C941	NDC31HJ-220X	C CAPACITOR	22pF 50V J		R124	NRSA63J-473X	MG RESISTOR	47kΩ 1/16W J	
C942	NCB31CK-473X	C CAPACITOR	0.047uF 16V K		R126	NRSA63J-0R0X	MG RESISTOR	0Ω 1/16W J	
C943	NDC31HJ-220X	C CAPACITOR	22pF 50V J		R130	NRSA63J-102X	MG RESISTOR	1kΩ 1/16W J	
C951	NCB31CK-104X	C CAPACITOR	0.1uF 16V K		R140	NRSA63J-102X	MG RESISTOR	1kΩ 1/16W J	
C961	NCB31CK-104X	C CAPACITOR	0.1uF 16V K		R151	NRSA63J-473X	MG RESISTOR	47kΩ 1/16W J	
C964	NBE41CM-226X	TA E CAPACITOR	22uF 16V M		R152	NRSA63J-102X	MG RESISTOR	1kΩ 1/16W J	
C965	NBE41CM-226X	TA E CAPACITOR	22uF 16V M		R153	NRSA63J-101X	MG RESISTOR	100Ω 1/16W J	
C966	QERF1CM-476Z	E CAPACITOR	47uF 16V M		R154	NRSA63J-222X	MG RESISTOR	2.2kΩ 1/16W J	
C967	NCB31CK-104X	C CAPACITOR	0.1uF 16V K		R161	NRSA63J-473X	MG RESISTOR	47kΩ 1/16W J	
C973	NCB31HK-102X	C CAPACITOR	1000pF 50V K		R162	NRSA63J-102X	MG RESISTOR	1kΩ 1/16W J	
C974	NCB31HK-102X	C CAPACITOR	1000pF 50V K		R163	NRSA63J-101X	MG RESISTOR	100Ω 1/16W J	
					R164	NRSA63J-222X	MG RESISTOR	2.2kΩ 1/16W J	
C981	NCB31CK-104X	C CAPACITOR	0.1uF 16V K	J,U,U N,A	R165	NRSA63J-151X	MG RESISTOR	150Ω 1/16W J	
C982	NCB31CK-104X	C CAPACITOR	0.1uF 16V K		R171	NRSA63J-101X	MG RESISTOR	100Ω 1/16W J	
C3350	QERF1CM-106Z	E CAPACITOR	10uF 16V M		R173	NRSA63J-102X	MG RESISTOR	1kΩ 1/16W J	
C3351	NCB31CK-104X	C CAPACITOR	0.1uF 16V K		R181	NRSA63J-101X	MG RESISTOR	100Ω 1/16W J	
C3352	QERF1CM-106Z	E CAPACITOR	10uF 16V M		R183	NRSA63J-102X	MG RESISTOR	1kΩ 1/16W J	
C3353	NCB31CK-104X	C CAPACITOR	0.1uF 16V K		R191	NRSA63J-470X	MG RESISTOR	47Ω 1/16W J	
C3354	NCB31CK-104X	C CAPACITOR	0.1uF 16V K		R192	NRSA63J-470X	MG RESISTOR	47Ω 1/16W J	
C3355	QERF1CM-106Z	E CAPACITOR	10uF 16V M		R193	NRSA63J-470X	MG RESISTOR	47Ω 1/16W J	
C3356	NCB31CK-473X	C CAPACITOR	0.047uF 16V K		R194	NRSA63J-470X	MG RESISTOR	47Ω 1/16W J	
C8800	NCB31CK-104X	C CAPACITOR	0.1uF 16V K		R207	NRSA63J-473X	MG RESISTOR	47kΩ 1/16W J	
C8801	NCB31EK-104X	C CAPACITOR	0.1uF 25V K		R208	NRSA63J-102X	MG RESISTOR	1kΩ 1/16W J	
C8803	NCB11EK-105X	C CAPACITOR	1uF 25V K		R209	NRSA63J-101X	MG RESISTOR	100Ω 1/16W J	
C8804	NCB31CK-104X	C CAPACITOR	0.1uF 16V K		R210	NRSA63J-222X	MG RESISTOR	2.2kΩ 1/16W J	
C8805	NDC31HJ-101X	C CAPACITOR	100pF 50V J		R211	NRSA63J-103X	MG RESISTOR	10kΩ 1/16W J	
C8807	NCB31CK-104X	C CAPACITOR	0.1uF 16V K		R213	NRSA63J-103X	MG RESISTOR	10kΩ 1/16W J	J
C8808	NCJ11EK-106X-R	C CAPACITOR	10uF 25V						E,EU,EE,U,UN,A
C8808	or NCJ11EK-106X-A	C CAPACITOR	10uF 25V K		R213	NRSA63J-273X	MG RESISTOR	27kΩ 1/16W J	
C8810	NCB31CK-104X	C CAPACITOR	0.1uF 16V K						
C8811	NCB31CK-104X	C CAPACITOR	0.1uF 16V K		R215	NRSA63J-473X	MG RESISTOR	47kΩ 1/16W J	
C8812	NCJ11EK-106X-R	C CAPACITOR	10uF 25V		R216	NRSA63J-222X	MG RESISTOR	2.2kΩ 1/16W J	
C8812	or NCJ11EK-106X-A	C CAPACITOR	10uF 25V K		R223	NRSA63J-223X	MG RESISTOR	22kΩ 1/16W J	
C8813	NCB31CK-472X	C CAPACITOR	4700pF 16V K		R224	NRSA63J-473X	MG RESISTOR	47kΩ 1/16W J	
					R226	NRSA63J-0R0X	MG RESISTOR	0Ω 1/16W J	

△ Symbol No.	Part No.	Part Name	Description	Local	△ Symbol No.	Part No.	Part Name	Description	Local
R230	NRSA63J-102X	MG RESISTOR	1kΩ 1/16W J		R715	NRSA63J-102X	MG RESISTOR	1kΩ 1/16W J	
R240	NRSA63J-102X	MG RESISTOR	1kΩ 1/16W J		R716	NRSA63J-472X	MG RESISTOR	4.7kΩ 1/16W J	
R251	NRSA63J-473X	MG RESISTOR	47kΩ 1/16W J		R717	NRSA63J-472X	MG RESISTOR	4.7kΩ 1/16W J	
R252	NRSA63J-102X	MG RESISTOR	1kΩ 1/16W J		R718	NRSA63J-103X	MG RESISTOR	10kΩ 1/16W J	
R253	NRSA63J-101X	MG RESISTOR	100Ω 1/16W J		R719	NRSA63J-103X	MG RESISTOR	10kΩ 1/16W J	
R254	NRSA63J-222X	MG RESISTOR	2.2kΩ 1/16W J		R720	NRSA63J-0R0X	MG RESISTOR	0Ω 1/16W J	
R261	NRSA63J-473X	MG RESISTOR	47kΩ 1/16W J		R722	NRSA63J-103X	MG RESISTOR	10kΩ 1/16W J	
R262	NRSA63J-102X	MG RESISTOR	1kΩ 1/16W J		R725	NRSA63J-102X	MG RESISTOR	1kΩ 1/16W J	
R263	NRSA63J-101X	MG RESISTOR	100Ω 1/16W J		R726	NRSA63J-392X	MG RESISTOR	3.9kΩ 1/16W J	
R264	NRSA63J-222X	MG RESISTOR	2.2kΩ 1/16W J		R727	NRSA63J-392X	MG RESISTOR	3.9kΩ 1/16W J	
R265	NRSA63J-151X	MG RESISTOR	150Ω 1/16W J		R728	NRSA63J-392X	MG RESISTOR	3.9kΩ 1/16W J	
R271	NRSA63J-101X	MG RESISTOR	100Ω 1/16W J		R729	NRSA63J-472X	MG RESISTOR	4.7kΩ 1/16W J	
R273	NRSA63J-102X	MG RESISTOR	1kΩ 1/16W J		R730	NRSA63J-472X	MG RESISTOR	4.7kΩ 1/16W J	
R281	NRSA63J-101X	MG RESISTOR	100Ω 1/16W J		R731	NRSA63J-472X	MG RESISTOR	4.7kΩ 1/16W J	
R283	NRSA63J-102X	MG RESISTOR	1kΩ 1/16W J		R732	NRSA63J-102X	MG RESISTOR	1kΩ 1/16W J	
R291	NRSA63J-470X	MG RESISTOR	47Ω 1/16W J		R733	NRSA63J-103X	MG RESISTOR	10kΩ 1/16W J	
R292	NRSA63J-470X	MG RESISTOR	47Ω 1/16W J		R734	NRSA63J-102X	MG RESISTOR	1kΩ 1/16W J	
R293	NRSA63J-470X	MG RESISTOR	47Ω 1/16W J		R735	NRSA63J-102X	MG RESISTOR	1kΩ 1/16W J	
R294	NRSA63J-470X	MG RESISTOR	47Ω 1/16W J		R736	NRSA63J-102X	MG RESISTOR	1kΩ 1/16W J	
R311	NRSA63J-0R0X	MG RESISTOR	0Ω 1/16W J		R737	NRSA63J-102X	MG RESISTOR	1kΩ 1/16W J	
R312	NRSA63J-0R0X	MG RESISTOR	0Ω 1/16W J		R738	NRSA63J-102X	MG RESISTOR	1kΩ 1/16W J	
R315	NRSA63J-471X	MG RESISTOR	470Ω 1/16W J		R739	NRSA63J-0R0X	MG RESISTOR	0Ω 1/16W J	
R316	NRSA63J-470X	MG RESISTOR	47Ω 1/16W J		R740	NRSA63J-271X	MG RESISTOR	270Ω 1/16W J	
R317	NRSA63J-470X	MG RESISTOR	47Ω 1/16W J		R741	NRSA63J-271X	MG RESISTOR	270Ω 1/16W J	
R320	NRSA63J-0R0X	MG RESISTOR	0Ω 1/16W J		R742	NRSA63J-103X	MG RESISTOR	10kΩ 1/16W J	
R321	NRSA63J-473X	MG RESISTOR	47kΩ 1/16W J		R743	NRSA63J-473X	MG RESISTOR	47kΩ 1/16W J	E,EU, EE,U, UN,A
R322	NRSA63J-473X	MG RESISTOR	47kΩ 1/16W J		R744	NRSA63J-103X	MG RESISTOR	10kΩ 1/16W J	
R323	NRSA63J-473X	MG RESISTOR	47kΩ 1/16W J		R745	NRSA63J-473X	MG RESISTOR	47kΩ 1/16W J	J
R324	NRSA63J-103X	MG RESISTOR	10kΩ 1/16W J		R746	NRSA63J-473X	MG RESISTOR	47kΩ 1/16W J	
R325	NRSA63J-221X	MG RESISTOR	220Ω 1/16W J		R747	NRSA63J-102X	MG RESISTOR	1kΩ 1/16W J	
R326	NRSA63J-222X	MG RESISTOR	2.2kΩ 1/16W J		R748	NRSA63J-102X	MG RESISTOR	1kΩ 1/16W J	
R327	NRSA63J-222X	MG RESISTOR	2.2kΩ 1/16W J		R749	NRSA63J-222X	MG RESISTOR	2.2kΩ 1/16W J	
R328	NRSA63J-222X	MG RESISTOR	2.2kΩ 1/16W J		R751	NRSA63J-222X	MG RESISTOR	2.2kΩ 1/16W J	
R329	NRSA63J-222X	MG RESISTOR	2.2kΩ 1/16W J		R752	NRSA63J-222X	MG RESISTOR	2.2kΩ 1/16W J	
R332	NRSA63J-103X	MG RESISTOR	10kΩ 1/16W J		R753	NRSA63J-222X	MG RESISTOR	2.2kΩ 1/16W J	
R333	NRSA63J-103X	MG RESISTOR	10kΩ 1/16W J		R754	NRSA63J-222X	MG RESISTOR	2.2kΩ 1/16W J	
R334	NRSA63J-683X	MG RESISTOR	68kΩ 1/16W J		R755	NRSA63J-222X	MG RESISTOR	2.2kΩ 1/16W J	
R335	NRSA63J-273X	MG RESISTOR	27kΩ 1/16W J		R756	NRSA63J-473X	MG RESISTOR	47kΩ 1/16W J	
R336	NRSA63J-683X	MG RESISTOR	68kΩ 1/16W J		R757	NRSA63J-473X	MG RESISTOR	47kΩ 1/16W J	
R337	NRSA63J-223X	MG RESISTOR	22kΩ 1/16W J		R758	NRSA63J-102X	MG RESISTOR	1kΩ 1/16W J	
R338	NRSA63J-223X	MG RESISTOR	22kΩ 1/16W J		R759	NRSA63J-473X	MG RESISTOR	47kΩ 1/16W J	
R339	NRSA63J-103X	MG RESISTOR	10kΩ 1/16W J		R760	NRSA63J-102X	MG RESISTOR	1kΩ 1/16W J	
R340	NRSA63J-103X	MG RESISTOR	10kΩ 1/16W J		R761	NRSA63J-102X	MG RESISTOR	1kΩ 1/16W J	
R341	NRSA63J-821X	MG RESISTOR	820Ω 1/16W J		R762	NRSA63J-102X	MG RESISTOR	1kΩ 1/16W J	
R342	NRSA63J-101X	MG RESISTOR	100Ω 1/16W J		R763	NRSA63J-473X	MG RESISTOR	47kΩ 1/16W J	
R343	NRSA63J-472X	MG RESISTOR	4.7kΩ 1/16W J		R764	NRSA63J-102X	MG RESISTOR	1kΩ 1/16W J	
R344	NRSA63J-102X	MG RESISTOR	1kΩ 1/16W J		R765	NRSA63J-102X	MG RESISTOR	1kΩ 1/16W J	
R345	NRSA63J-472X	MG RESISTOR	4.7kΩ 1/16W J		R766	NRSA63J-102X	MG RESISTOR	1kΩ 1/16W J	
R346	NRSA63J-473X	MG RESISTOR	47kΩ 1/16W J		R767	NRSA63J-102X	MG RESISTOR	1kΩ 1/16W J	
R347	NRSA63J-101X	MG RESISTOR	100Ω 1/16W J		R768	NRSA63J-562X	MG RESISTOR	5.6kΩ 1/16W J	
R348	NRSA63J-221X	MG RESISTOR	220Ω 1/16W J		R769	NRSA63J-102X	MG RESISTOR	1kΩ 1/16W J	
R349	NRSA63J-221X	MG RESISTOR	220Ω 1/16W J		R770	NRSA63J-0R0X	MG RESISTOR	0Ω 1/16W J	
R350	NRSA63J-470X	MG RESISTOR	47Ω 1/16W J		R771	NRSA63J-222X	MG RESISTOR	2.2kΩ 1/16W J	
R351	NRSA63J-470X	MG RESISTOR	47Ω 1/16W J		R772	NRSA63J-222X	MG RESISTOR	2.2kΩ 1/16W J	
R352	NRSA63J-683X	MG RESISTOR	68kΩ 1/16W J		R773	NRSA63J-222X	MG RESISTOR	2.2kΩ 1/16W J	
R353	NRSA63J-103X	MG RESISTOR	10kΩ 1/16W J		R774	NRSA63J-103X	MG RESISTOR	10kΩ 1/16W J	
R370	NRSA63J-473X	MG RESISTOR	47kΩ 1/16W J		R775	NRSA63J-0R0X	MG RESISTOR	0Ω 1/16W J	
R372	NRSA63J-472X	MG RESISTOR	4.7kΩ 1/16W J		R776	NRSA63J-0R0X	MG RESISTOR	0Ω 1/16W J	
R373	NRSA63J-222X	MG RESISTOR	2.2kΩ 1/16W J		R777	NRSA63J-0R0X	MG RESISTOR	0Ω 1/16W J	
R374	NRSA63J-100X	MG RESISTOR	10Ω 1/16W J		R778	NRSA63J-0R0X	MG RESISTOR	0Ω 1/16W J	
R375	NRSA63J-273X	MG RESISTOR	27kΩ 1/16W J		R779	NRSA63J-0R0X	MG RESISTOR	0Ω 1/16W J	
R376	NRSA63J-473X	MG RESISTOR	47kΩ 1/16W J		R782	NRSA63J-222X	MG RESISTOR	2.2kΩ 1/16W J	
R377	NRSA63J-0R0X	MG RESISTOR	0Ω 1/16W J		R783	NRSA63J-472X	MG RESISTOR	4.7kΩ 1/16W J	
R380	NRSA63J-104X	MG RESISTOR	100kΩ 1/16W J		R784	NRSA63J-472X	MG RESISTOR	4.7kΩ 1/16W J	
R381	NRSA63J-104X	MG RESISTOR	100kΩ 1/16W J		R789	NRSA63J-473X	MG RESISTOR	47kΩ 1/16W J	
R391	NRSA63J-470X	MG RESISTOR	47Ω 1/16W J		R790	NRSA63J-473X	MG RESISTOR	47kΩ 1/16W J	
R701	NRSA63J-222X	MG RESISTOR	2.2kΩ 1/16W J		R791	NRSA63J-822X	MG RESISTOR	8.2kΩ 1/16W J	
R702	NRSA63J-222X	MG RESISTOR	2.2kΩ 1/16W J		R792	NRSA63J-822X	MG RESISTOR	8.2kΩ 1/16W J	
R704	NRSA63J-821X	MG RESISTOR	820Ω 1/16W J		R793	NRSA63J-822X	MG RESISTOR	8.2kΩ 1/16W J	
R705	NRSA63J-106X	MG RESISTOR	10MΩ 1/16W J		R794	NRSA63J-104X	MG RESISTOR	100kΩ 1/16W J	
R706	NRSA63J-473X	MG RESISTOR	47kΩ 1/16W J		R795	NRSA63J-102X	MG RESISTOR	1kΩ 1/16W J	
R707	NRSA63J-102X	MG RESISTOR	1kΩ 1/16W J		R796	NRSA63J-222X	MG RESISTOR	2.2kΩ 1/16W J	
R708	NRSA63J-333X	MG RESISTOR	33kΩ 1/16W J		R797	NRSA63J-222X	MG RESISTOR	2.2kΩ 1/16W J	
R709	NRSA63J-223X	MG RESISTOR	22kΩ 1/16W J		R804	NRSA63J-103X	MG RESISTOR	10kΩ 1/16W J	
R710	NRSA63J-103X	MG RESISTOR	10kΩ 1/16W J		R805	NRSA63J-102X	MG RESISTOR	1kΩ 1/16W J	
R711	NRSA63J-222X	MG RESISTOR	2.2kΩ 1/16W J		R811	NRSA63J-682X	MG RESISTOR	6.8kΩ 1/16W J	
R712	NRSA63J-222X	MG RESISTOR	2.2kΩ 1/16W J						
R714	NRSA63J-472X	MG RESISTOR	4.7kΩ 1/16W J						

△ Symbol No.	Part No.	Part Name	Description	Local	△ Symbol No.	Part No.	Part Name	Description	Local
R812	NRSA63J-272X	MG RESISTOR	2.7kΩ 1/16W J		R946	NRSA63J-104X	MG RESISTOR	100kΩ 1/16W J	
R813	NRSA63J-272X	MG RESISTOR	2.7kΩ 1/16W J		R947	NRSA63J-331X	MG RESISTOR	330Ω 1/16W J	
R814	NRSA63J-153X	MG RESISTOR	15kΩ 1/16W J		R948	NRSA63J-223X	MG RESISTOR	22kΩ 1/16W J	
R815	NRSA63J-103X	MG RESISTOR	10kΩ 1/16W J		R949	NRSA63J-101X	MG RESISTOR	100Ω 1/16W J	
R816	NRSA63J-124X	MG RESISTOR	120kΩ 1/16W J		R951	NRSA63J-392X	MG RESISTOR	3.9kΩ 1/16W J	
R817	NRSA63J-5R6X	MG RESISTOR	5.6Ω 1/16W J		R952	NRSA63J-392X	MG RESISTOR	3.9kΩ 1/16W J	
R818	NRSA63J-223X	MG RESISTOR	22kΩ 1/16W J		R953	NRSA63J-392X	MG RESISTOR	3.9kΩ 1/16W J	
R819	NRSA63J-182X	MG RESISTOR	1.8kΩ 1/16W J		R954	NRSA63J-392X	MG RESISTOR	3.9kΩ 1/16W J	
R820	NRSA63J-103X	MG RESISTOR	10kΩ 1/16W J		R955	NRSA63J-183X	MG RESISTOR	18kΩ 1/16W J	
R821	NRSA63J-103X	MG RESISTOR	10kΩ 1/16W J		R956	NRSA63J-563X	MG RESISTOR	56kΩ 1/16W J	
R822	NRSA63F-104X	MG RESISTOR	100kΩ 1/16W F		R959	NRSA63J-102X	MG RESISTOR	1kΩ 1/16W J	
R823	NRSA63J-124X	MG RESISTOR	120kΩ 1/16W J		R960	NRSA63J-101X	MG RESISTOR	100Ω 1/16W J	
R824	NRSA63J-123X	MG RESISTOR	12kΩ 1/16W J		R961	NRSA63J-332X	MG RESISTOR	3.3kΩ 1/16W J	
R826	NRSA63J-513X	MG RESISTOR	51kΩ 1/16W J		R962	NRSA63D-181X	MG RESISTOR	180Ω 1/16W D	
R827	NRSA63J-471X	MG RESISTOR	470Ω 1/16W J		R963	NRSA63J-0R0X	MG RESISTOR	0Ω 1/16W J	
R828	NRSA63J-223X	MG RESISTOR	22kΩ 1/16W J		R964	NRSA63J-0R0X	MG RESISTOR	0Ω 1/16W J	
R829	NRSA63J-471X	MG RESISTOR	470Ω 1/16W J		R965	NRSA63J-101X	MG RESISTOR	100Ω 1/16W J	
R830	NRSA63J-0R0X	MG RESISTOR	0Ω 1/16W J		R966	NRSA63J-0R0X	MG RESISTOR	0Ω 1/16W J	
R833	NRSA63J-123X	MG RESISTOR	12kΩ 1/16W J		R968	NRSA63J-332X	MG RESISTOR	3.3kΩ 1/16W J	
R834	NRSA63J-333X	MG RESISTOR	33kΩ 1/16W J		R970	NRSA63J-332X	MG RESISTOR	3.3kΩ 1/16W J	
R835	NRSA63J-184X	MG RESISTOR	180kΩ 1/16W J		R972	NRSA63J-0R0X	MG RESISTOR	0Ω 1/16W J	
R836	NRSA63J-473X	MG RESISTOR	47kΩ 1/16W J		R973	NRSA63J-0R0X	MG RESISTOR	0Ω 1/16W J	
R837	NRSA63J-222X	MG RESISTOR	2.2kΩ 1/16W J		R974	NRSA63J-0R0X	MG RESISTOR	0Ω 1/16W J	
R839	NRSA63J-0R0X	MG RESISTOR	0Ω 1/16W J		R975	NRSA63J-0R0X	MG RESISTOR	0Ω 1/16W J	
R841	NRSA63J-471X	MG RESISTOR	470Ω 1/16W J		R976	NRSA63J-0R0X	MG RESISTOR	0Ω 1/16W J	
R842	NRSA63J-471X	MG RESISTOR	470Ω 1/16W J		R981	NRS181J-222X	MG RESISTOR	2.2kΩ 1/8W J	
R843	NRSA63J-471X	MG RESISTOR	470Ω 1/16W J		R982	NRS181J-222X	MG RESISTOR	2.2kΩ 1/8W J	
R844	NRSA63J-473X	MG RESISTOR	47kΩ 1/16W J		R983	NRSA63J-472X	MG RESISTOR	4.7kΩ 1/16W J	J,U,U N,A
R845	NRSA63J-102X	MG RESISTOR	1kΩ 1/16W J		R992	NRSA63J-101X	MG RESISTOR	100Ω 1/16W J	
R847	NRSA63J-473X	MG RESISTOR	47kΩ 1/16W J		R993	NRSA63J-331X	MG RESISTOR	330Ω 1/16W J	
R848	NRSA63J-103X	MG RESISTOR	10kΩ 1/16W J		R3351	NRSA63J-101X	MG RESISTOR	100Ω 1/16W J	
R849	NRSA63J-473X	MG RESISTOR	47kΩ 1/16W J		R3352	NRSA63J-473X	MG RESISTOR	47kΩ 1/16W J	
R850	NRSA63J-472X	MG RESISTOR	4.7kΩ 1/16W J		R3353	NRSA63J-103X	MG RESISTOR	10kΩ 1/16W J	
R851	NRSA63J-0R0X	MG RESISTOR	0Ω 1/16W J		R3354	NRSA63J-822X	MG RESISTOR	8.2kΩ 1/16W J	
R852	NRSA63J-103X	MG RESISTOR	10kΩ 1/16W J		R3355	NRSA63J-681X	MG RESISTOR	680Ω 1/16W J	
R853	NRSA63J-473X	MG RESISTOR	47kΩ 1/16W J		R3356	NRSA63J-222X	MG RESISTOR	2.2kΩ 1/16W J	
R855	NRSA63J-0R0X	MG RESISTOR	0Ω 1/16W J		R3357	NRSA63J-222X	MG RESISTOR	2.2kΩ 1/16W J	
R856	NRSA63J-103X	MG RESISTOR	10kΩ 1/16W J		R3358	NRSA63J-222X	MG RESISTOR	2.2kΩ 1/16W J	
R857	NRSA63J-0R0X	MG RESISTOR	0Ω 1/16W J		R3359	NRSA63J-393X	MG RESISTOR	39kΩ 1/16W J	
R858	NRSA63J-0R0X	MG RESISTOR	0Ω 1/16W J		R3371	NRSA63J-0R0X	MG RESISTOR	0Ω 1/16W J	
R859	NRSA63J-104X	MG RESISTOR	100kΩ 1/16W J		R7001	NRSA63J-473X	MG RESISTOR	47kΩ 1/16W J	J
R861	NRSA63J-101X	MG RESISTOR	100Ω 1/16W J		R7001	NRSA63J-333X	MG RESISTOR	33kΩ 1/16W J	E,EU
R863	NRSA63J-103X	MG RESISTOR	10kΩ 1/16W J		R7001	NRSA63J-273X	MG RESISTOR	27kΩ 1/16W J	EE
R871	NRSA63J-0R0X	MG RESISTOR	0Ω 1/16W J	J,E,E U,EE J,E,E U,EE	R7001	NRSA63J-393X	MG RESISTOR	39kΩ 1/16W J	U,UN, A
R872	NRSA63J-271X	MG RESISTOR	270Ω 1/16W J		R7003	NRSA63J-332X	MG RESISTOR	3.3kΩ 1/16W J	J
R881	NRSA63J-102X	MG RESISTOR	1kΩ 1/16W J		R7003	NRSA63J-153X	MG RESISTOR	15kΩ 1/16W J	E,EU
R884	NRSA63J-124X	MG RESISTOR	120kΩ 1/16W J		R7003	NRSA63J-223X	MG RESISTOR	22kΩ 1/16W J	EE
R885	NRSA63J-124X	MG RESISTOR	120kΩ 1/16W J		R7003	NRSA63J-822X	MG RESISTOR	8.2kΩ 1/16W J	U,UN, A
R888	NRSA63J-103X	MG RESISTOR	10kΩ 1/16W J		R7701	NRSA63J-473X	MG RESISTOR	47kΩ 1/16W J	
R889	NRSA63J-0R0X	MG RESISTOR	0Ω 1/16W J		R7702	NRSA63J-102X	MG RESISTOR	1kΩ 1/16W J	
R892	NRSA63J-470X	MG RESISTOR	47Ω 1/16W J		R7703	NRSA63J-473X	MG RESISTOR	47kΩ 1/16W J	E,EU, EE
R893	NRSA63J-103X	MG RESISTOR	10kΩ 1/16W J		R7704	NRSA63J-473X	MG RESISTOR	47kΩ 1/16W J	J,U,U N,A
R894	NRSA63J-393X	MG RESISTOR	39kΩ 1/16W J		R7710	NRSA63J-103X	MG RESISTOR	10kΩ 1/16W J	
R895	NRSA63J-103X	MG RESISTOR	10kΩ 1/16W J		R8001	NRSA02J-0R0X	MG RESISTOR	0Ω 1/10W J	
R897	NRSA63J-470X	MG RESISTOR	47Ω 1/16W J		R8002	NRSA63J-221X	MG RESISTOR	220Ω 1/16W J	
R898	NRSA63J-470X	MG RESISTOR	47Ω 1/16W J		R8004	NRZ0046-R22X	MG RESISTOR	0.22Ω	
R901	NRS181J-102X	MG RESISTOR	1kΩ 1/8W J		R8005	NRZ0046-R22X	MG RESISTOR	0.22Ω	
R902	NRSA63J-912X	MG RESISTOR	9.1kΩ 1/16W J		R8006	NRSA02J-0R0X	MG RESISTOR	0Ω 1/10W J	
R903	NRSA63J-472X	MG RESISTOR	4.7kΩ 1/16W J		R8007	NRSA63J-272X	MG RESISTOR	2.7kΩ 1/16W J	
R921	NRSA63J-0R0X	MG RESISTOR	0Ω 1/16W J		R8008	NRSA63J-821X	MG RESISTOR	820Ω 1/16W J	
R925	NRSA63J-102X	MG RESISTOR	1kΩ 1/16W J		R8009	NRSA63J-272X	MG RESISTOR	2.7kΩ 1/16W J	
R926	NRSA63J-750X	MG RESISTOR	75Ω 1/16W J		R8012	NRSA63J-0R0X	MG RESISTOR	0Ω 1/16W J	
R927	NRSA63J-0R0X	MG RESISTOR	0Ω 1/16W J		R9921	NRSA63J-0R0X	MG RESISTOR	0Ω 1/16W J	
R929	NRSA63J-105X	MG RESISTOR	1MΩ 1/16W J		R9922	NRSA63D-181X	MG RESISTOR	180Ω 1/16W D	
R932	NRSA63J-750X	MG RESISTOR	75Ω 1/16W J		R9923	NRSA63J-750X	MG RESISTOR	75Ω 1/16W J	
R934	NRSA63J-0R0X	MG RESISTOR	0Ω 1/16W J		R9924	NRSA63J-471X	MG RESISTOR	470Ω 1/16W J	
R935	NRSA63J-102X	MG RESISTOR	1kΩ 1/16W J		R9927	NRSA63J-0R0X	MG RESISTOR	0Ω 1/16W J	
R936	NRSA63J-750X	MG RESISTOR	75Ω 1/16W J		RA721	NRZ0065-222X	NET RESISTOR	2.2kΩ	
R937	NRSA63J-0R0X	MG RESISTOR	0Ω 1/16W J		L1	NQL334J-4R7X	COIL	4.7uH J	
R938	NRSA63J-105X	MG RESISTOR	1MΩ 1/16W J		L101	NQR0022-005X	FERRITE BEADS		
R940	NRSA63J-473X	MG RESISTOR	47kΩ 1/16W J		L201	NQR0022-005X	FERRITE BEADS		
R941	NRSA63J-473X	MG RESISTOR	47kΩ 1/16W J		L701	NQL79GM-470X	COIL	47uH M	
R942	NRSA63J-101X	MG RESISTOR	100Ω 1/16W J		L702	NQL79GM-100X	COIL	10uH M	
R943	NRSA63J-223X	MG RESISTOR	22kΩ 1/16W J						
R944	NRSA63J-104X	MG RESISTOR	100kΩ 1/16W J						
R945	NRSA63J-103X	MG RESISTOR	10kΩ 1/16W J						

△ Symbol No.	Part No.	Part Name	Description	Local	△ Symbol No.	Part No.	Part Name	Description	Local
L811	NQLD7EM-220X	COIL	22uH M		C9031	NDC31HJ-471X	C CAPACITOR	470pF 50V J	
L822	NQLD7EM-220X	COIL	22uH M		C9032	NDC31HJ-471X	C CAPACITOR	470pF 50V J	
L824	NQL79GM-220X	COIL	22uH M		C9033	NCB31CK-104X	C CAPACITOR	0.1uF 16V K	
L825	NQL79GM-220X	COIL	22uH M		C9034	NDC31HJ-271X	C CAPACITOR	270pF 50V J	
L826	NQL79GM-220X	COIL	22uH M		C9035	NDC31HJ-471X	C CAPACITOR	470pF 50V J	
L827	NQL79GM-220X	COIL	22uH M		C9036	NDC31HJ-471X	C CAPACITOR	470pF 50V J	
L828	NQL79GM-220X	COIL	22uH M		C9037	NDC31HJ-271X	C CAPACITOR	270pF 50V J	
L835	NQLD7EM-220X	COIL	22uH M		C9038	NDC31HJ-471X	C CAPACITOR	470pF 50V J	
L841	NQL79GM-100X	COIL	10uH M		C9039	NDC31HJ-471X	C CAPACITOR	470pF 50V J	
L842	NQL79GM-100X	COIL	10uH M		C9043	NCB11AK-106X	C CAPACITOR	10uF 10V K	
L921	NQL382M-470X	COIL	47uH M		C9044	NCB11AK-106X	C CAPACITOR	10uF 10V K	
L931	NQL382M-470X	COIL	47uH M		C9045	NCB11AK-106X	C CAPACITOR	10uF 10V K	
L961	NQLD7EM-220X	COIL	22uH M		C9046	NCB20JK-106X	C CAPACITOR	10uF 6.3V K	
L962	NQL79GM-4R7X	COIL	4.7uH M		C9047	NCB20JK-106X	C CAPACITOR	10uF 6.3V K	
BZ951	QAN0023-001Z	BUZZER			C9048	NCB20JK-106X	C CAPACITOR	10uF 6.3V K	
CN301	QGA2501C3-04Z	CONNECTOR	W-B (1-4)		C9049	NCB20JK-106X	C CAPACITOR	10uF 6.3V K	
CN311	QGA2501C1-06	CONNECTOR	W-B (1-6)		C9050	NCB20JK-106X	C CAPACITOR	10uF 6.3V K	
CN361	QGA2501C1-07	CONNECTOR	W-B (1-7)		C9051	NCB20JK-106X	C CAPACITOR	10uF 6.3V K	
CN860	QNZ0095-001	CONNECTOR			R9001	NRSA63J-0R0X	MG RESISTOR	0Ω 1/16W J	
CN861	QGA2001C1-02	CONNECTOR	W-B (1-2)		R9002	NRSA63J-0R0X	MG RESISTOR	0Ω 1/16W J	
CN871	QGA2501C1-02	CONNECTOR	W-B (1-2)	J,E,E U,EE	R9005	NRSA63J-0R0X	MG RESISTOR	0Ω 1/16W J	
CN881	QGA2501C1-02	CONNECTOR	W-B (1-2)		R9006	NRSA63J-473X	MG RESISTOR	47kΩ 1/16W J	
CN891	QGA2001C1-04	CONNECTOR	W-B (1-4)		R9018	NRSA63J-472X	MG RESISTOR	4.7kΩ 1/16W J	
CN901	QNZ0607-001	CAR CONNECTOR			R9019	NRSA63J-472X	MG RESISTOR	4.7kΩ 1/16W J	
CN931	QGA2501C3-04Z	CONNECTOR	W-B (1-4)		R9020	NRSA63J-472X	MG RESISTOR	4.7kΩ 1/16W J	
CN961	QGB2027M5-20S	CONNECTOR	B-B (1-20)		R9021	NRSA63J-472X	MG RESISTOR	4.7kΩ 1/16W J	
CN962	QGF1041C4-24W	CONNECTOR	FFC/FPC (1-24)		R9022	NRSA63J-472X	MG RESISTOR	4.7kΩ 1/16W J	
CN963	QGB2027M5-20S	CONNECTOR	B-B (1-20)		R9023	NRSA63J-472X	MG RESISTOR	4.7kΩ 1/16W J	
K871	NQR0022-005X	FERRITE BEADS		J,E,E U,EE	R9024	NRSA63J-472X	MG RESISTOR	4.7kΩ 1/16W J	
PP1	QZW0010-001	STYLE PIN			R9025	NRSA63J-472X	MG RESISTOR	4.7kΩ 1/16W J	
PP2	QZW0010-001	STYLE PIN			R9026	NRSA63J-472X	MG RESISTOR	4.7kΩ 1/16W J	
PP3	QZW0010-001	STYLE PIN			R9027	NRSA63J-472X	MG RESISTOR	4.7kΩ 1/16W J	
PP5	QZW0010-001	STYLE PIN			R9028	NRSA63J-472X	MG RESISTOR	4.7kΩ 1/16W J	
PP6	QZW0010-001	STYLE PIN			R9029	NRSA63J-472X	MG RESISTOR	4.7kΩ 1/16W J	
PP7	QZW0010-001	STYLE PIN			R9030	NRSA63J-223X	MG RESISTOR	22kΩ 1/16W J	
TH721	NAD0028-103X	N THERMISTOR	10kΩ		R9031	NRSA63J-223X	MG RESISTOR	22kΩ 1/16W J	
TU1	QAU0451-002	TUNER			R9032	NRSA63J-223X	MG RESISTOR	22kΩ 1/16W J	
W1	QAM0556-001	ANT CABLE			R9033	NRSA63J-223X	MG RESISTOR	22kΩ 1/16W J	
X31	QAX0263-001Z	CRYSTAL	4.332MHz	E,EU, EE	R9034	NRSA63J-223X	MG RESISTOR	22kΩ 1/16W J	
X701	QAX0617-001Z	CRYSTAL	12.500MHz		R9035	NRSA63J-223X	MG RESISTOR	22kΩ 1/16W J	
X702	QAX0401-001	CRYSTAL	32.768KHz		R9036	NRSA63J-473X	MG RESISTOR	47kΩ 1/16W J	

Connection control board

Block No. [0][2]

△ Symbol No.	Part No.	Part Name	Description	Local	△ Symbol No.	Part No.	Part Name	Description	Local
IC901	AK4385ET-X	IC			R9041	NRSA63J-472X	MG RESISTOR	4.7kΩ 1/16W J	
IC902	AK4385ET-X	IC			R9042	NRSA63J-472X	MG RESISTOR	4.7kΩ 1/16W J	
IC903	AK4385ET-X	IC			R9043	NRSA63J-101X	MG RESISTOR	100Ω 1/16W J	
IC904	NJM4565V-X	IC			R9044	NRSA63J-101X	MG RESISTOR	100Ω 1/16W J	
IC905	NJM4565V-X	IC			R9045	NRSA63J-201X	MG RESISTOR	200Ω 1/16W J	
IC906	NJM4565V-X	IC			R9046	NRSA63J-201X	MG RESISTOR	200Ω 1/16W J	
IC907	SN74HCT32APW-X	IC			R9047	NRSA63J-201X	MG RESISTOR	200Ω 1/16W J	
IC908	SN74LVC32APW-X	IC			R9048	NRSA63J-201X	MG RESISTOR	200Ω 1/16W J	
C9005	NDC31HJ-331X	C CAPACITOR	330pF 50V J		R9049	NRSA63J-101X	MG RESISTOR	100Ω 1/16W J	
C9012	NCB10JK-106X	C CAPACITOR	10uF 6.3V K		R9050	NRSA63J-201X	MG RESISTOR	200Ω 1/16W J	
C9014	NCB10JK-106X	C CAPACITOR	10uF 6.3V K		R9051	NRSA63J-201X	MG RESISTOR	200Ω 1/16W J	
C9016	NCB10JK-106X	C CAPACITOR	10uF 6.3V K		R9052	NRSA63J-472X	MG RESISTOR	4.7kΩ 1/16W J	
C9020	NCB31CK-104X	C CAPACITOR	0.1uF 16V K		R9053	NRSA63J-223X	MG RESISTOR	22kΩ 1/16W J	
C9021	NCB31HK-182X	C CAPACITOR	1800pF 50V K		R9054	NRSA63J-472X	MG RESISTOR	4.7kΩ 1/16W J	
C9022	NCB31HK-182X	C CAPACITOR	1800pF 50V K		R9055	NRSA63J-223X	MG RESISTOR	22kΩ 1/16W J	
C9023	NCB31HK-332X	C CAPACITOR	3300pF 50V K		R9056	NRSA63J-472X	MG RESISTOR	4.7kΩ 1/16W J	
C9024	NCB31HK-332X	C CAPACITOR	3300pF 50V K		R9057	NRSA63J-223X	MG RESISTOR	22kΩ 1/16W J	
C9025	NCB31HK-332X	C CAPACITOR	3300pF 50V K		R9058	NRSA63J-101X	MG RESISTOR	100Ω 1/16W J	
C9026	NCB31HK-332X	C CAPACITOR	3300pF 50V K		R9059	NRSA63J-201X	MG RESISTOR	200Ω 1/16W J	
C9027	NDC31HJ-271X	C CAPACITOR	270pF 50V J		R9060	NRSA63J-201X	MG RESISTOR	200Ω 1/16W J	
C9028	NDC31HJ-271X	C CAPACITOR	270pF 50V J		R9061	NRSA63J-223X	MG RESISTOR	22kΩ 1/16W J	
C9029	NDC31HJ-471X	C CAPACITOR	470pF 50V J		R9062	NRSA63J-472X	MG RESISTOR	4.7kΩ 1/16W J	
C9030	NDC31HJ-471X	C CAPACITOR	470pF 50V J		R9063	NRSA63J-223X	MG RESISTOR	22kΩ 1/16W J	
					R9064	NRSA63J-472X	MG RESISTOR	4.7kΩ 1/16W J	
					R9065	NRSA63J-223X	MG RESISTOR	22kΩ 1/16W J	
					R9066	NRSA63J-472X	MG RESISTOR	4.7kΩ 1/16W J	
					R9067	NRSA63J-473X	MG RESISTOR	47kΩ 1/16W J	
					R9068	NRSA63J-103X	MG RESISTOR	10kΩ 1/16W J	
					R9069	NRSA63J-103X	MG RESISTOR	10kΩ 1/16W J	
					R9070	NRSA63J-123X	MG RESISTOR	12kΩ 1/16W J	
					R9071	NRSA63J-123X	MG RESISTOR	12kΩ 1/16W J	
					R9072	NRSA63J-103X	MG RESISTOR	10kΩ 1/16W J	

△ Symbol No.	Part No.	Part Name	Description	Local	△ Symbol No.	Part No.	Part Name	Description	Local
R9073	NRSA63J-103X	MG RESISTOR	10kΩ 1/16W J		D413	NECBB205/WPQR/X	LED		
R9074	NRSA63J-123X	MG RESISTOR	12kΩ 1/16W J		D414	LSQ971/KL-X	LED		
R9075	NRSA63J-123X	MG RESISTOR	12kΩ 1/16W J		D415	MC2838-X	DIODE		
R9076	NRSA63J-103X	MG RESISTOR	10kΩ 1/16W J		D416	NECBB205/WPQR/X	LED		
R9077	NRSA63J-103X	MG RESISTOR	10kΩ 1/16W J		D471	MA357-X	VARI CAP DIODE		
R9078	NRSA63J-123X	MG RESISTOR	12kΩ 1/16W J		D501	MA111-X	SI DIODE		
R9079	NRSA63J-123X	MG RESISTOR	12kΩ 1/16W J		D501	or 1S355-X	DIODE C.M		
R9080	NRSA63J-103X	MG RESISTOR	10kΩ 1/16W J		D502	MC2836-X	DIODE		
R9081	NRSA63J-0R0X	MG RESISTOR	0Ω 1/16W J		D561	MA8120/M-X	Z DIODE		
R9082	NRSA63J-0R0X	MG RESISTOR	0Ω 1/16W J		C401	NCB10JK-106X	C CAPACITOR	10uF 6.3V K	
R9083	NRSA63J-0R0X	MG RESISTOR	0Ω 1/16W J		C402	NCB10JK-106X	C CAPACITOR	10uF 6.3V K	
R9084	NRSA63J-0R0X	MG RESISTOR	0Ω 1/16W J		C403	NCB10JK-106X	C CAPACITOR	10uF 6.3V K	
R9085	NRSA63J-0R0X	MG RESISTOR	0Ω 1/16W J		C404	NCJ11EK-106X-R	C CAPACITOR	10uF 25V	
R9086	NRSA63J-0R0X	MG RESISTOR	0Ω 1/16W J		C404	or NCJ11EK-106X-A	C CAPACITOR	10uF 25V K	
R9089	NRSA63J-0R0X	MG RESISTOR	0Ω 1/16W J		C405	NCJ11EK-106X-R	C CAPACITOR	10uF 25V	
R9090	NRSA63J-0R0X	MG RESISTOR	0Ω 1/16W J		C405	or NCJ11EK-106X-A	C CAPACITOR	10uF 25V K	
L9001	NQR0022-005X	FERRITE BEADS			C406	NCJ11EK-106X-R	C CAPACITOR	10uF 25V	
L9002	NQR0022-005X	FERRITE BEADS			C406	or NCJ11EK-106X-A	C CAPACITOR	10uF 25V K	
L9003	NQR0022-005X	FERRITE BEADS			C410	NCB31CK-104X	C CAPACITOR	0.1uF 16V K	
CN965	QGF0534F3-60X	CONNECTOR	FFC/FPC (1-60)		C411	NCB31CK-104X	C CAPACITOR	0.1uF 16V K	
CN966	QGB2027LB-20X	CONNECTOR	B-B (1-20)		C412	NCB31CK-104X	C CAPACITOR	0.1uF 16V K	
CN968	QGB2027LB-20X	CONNECTOR	B-B (1-20)		C413	NCB31CK-104X	C CAPACITOR	0.1uF 16V K	
					C414	NCB31CK-104X	C CAPACITOR	0.1uF 16V K	
					C415	NCB31CK-104X	C CAPACITOR	0.1uF 16V K	
					C416	NCB31CK-104X	C CAPACITOR	0.1uF 16V K	
					C417	NCB31CK-104X	C CAPACITOR	0.1uF 16V K	
					C418	NCB31CK-104X	C CAPACITOR	0.1uF 16V K	
					C419	NCB31CK-104X	C CAPACITOR	0.1uF 16V K	
					C471	NCB31CK-104X	C CAPACITOR	0.1uF 16V K	
					C472	NDC31HJ-681X	C CAPACITOR	680pF 50V J	
					C473	NCB31CK-104X	C CAPACITOR	0.1uF 16V K	
					C474	NCB31CK-104X	C CAPACITOR	0.1uF 16V K	
					C475	NDU31HJ-470X	C CAPACITOR	47pF 50V J	
					C476	NCB31CK-104X	C CAPACITOR	0.1uF 16V K	
					C477	NDU31HJ-330X	C CAPACITOR	33pF 50V J	
					C478	NDC31HJ-561X	C CAPACITOR	560pF 50V J	
					C479	NCB31HK-103X	C CAPACITOR	0.01uF 50V K	
					C480	NDC31HG-101X	C CAPACITOR	100pF 50V G	
					C481	NCB31CK-104X	C CAPACITOR	0.1uF 16V K	
					C482	NCB31CK-104X	C CAPACITOR	0.1uF 16V K	
					C483	NCB30JK-105X	C CAPACITOR	1uF 6.3V K	
					C484	NCB31HK-103X	C CAPACITOR	0.01uF 50V K	
					C485	NBE41AM-476X	TA E CAPACITOR	47uF 10V M	
					C486	NCB30JK-105X	C CAPACITOR	1uF 6.3V K	
					C493	NCB31CK-104X	C CAPACITOR	0.1uF 16V K	
					C501	NCB31CK-473X	C CAPACITOR	0.047uF 16V K	
					C502	NBE21AM-106X	TA E CAPACITOR	10uF 10V M	
					C503	NCB31CK-473X	C CAPACITOR	0.047uF 16V K	
					C504	NBE20JM-475X	TA E CAPACITOR	4.7uF 6.3V M	
					C505	NCB31HK-103X	C CAPACITOR	0.01uF 50V K	
					C506	NCB31HK-103X	C CAPACITOR	0.01uF 50V K	
					C507	NCB31HK-103X	C CAPACITOR	0.01uF 50V K	
					C508	NCB30JK-105X	C CAPACITOR	1uF 6.3V K	
					C509	NCB31HK-103X	C CAPACITOR	0.01uF 50V K	
					C510	NCB31HK-103X	C CAPACITOR	0.01uF 50V K	
					C511	NCB31HK-103X	C CAPACITOR	0.01uF 50V K	
					C512	NCB31HK-103X	C CAPACITOR	0.01uF 50V K	
					C561	NCB31CK-104X	C CAPACITOR	0.1uF 16V K	
					C581	NDC31HJ-471X	C CAPACITOR	470pF 50V J	
					C582	NCB31CK-473X	C CAPACITOR	0.047uF 16V K	
					C583	NBE21AM-106X	TA E CAPACITOR	10uF 10V M	
					C586	NBE21AM-475X	TA E CAPACITOR	4.7uF 10V M	
					C601	NDC31HJ-101X	C CAPACITOR	100pF 50V J	
					C602	NDC31HJ-101X	C CAPACITOR	100pF 50V J	
					C603	NCB30JK-105X	C CAPACITOR	1uF 6.3V K	
					C604	NCB30JK-105X	C CAPACITOR	1uF 6.3V K	
					C605	NBE21AM-226X	TA E CAPACITOR	22uF 10V M	
					C607	NCB31CK-104X	C CAPACITOR	0.1uF 16V K	
					C608	NDC31HJ-101X	C CAPACITOR	100pF 50V J	
					C609	NCB31HK-103X	C CAPACITOR	0.01uF 50V K	
					C611	NDC31HJ-220X	C CAPACITOR	22pF 50V J	
					C612	NDC31HJ-220X	C CAPACITOR	22pF 50V J	
					C613	NCB31HK-103X	C CAPACITOR	0.01uF 50V K	
					C614	NCB31HK-103X	C CAPACITOR	0.01uF 50V K	
					C615	NDC31HJ-101X	C CAPACITOR	100pF 50V J	
					C616	NBE21AM-106X	TA E CAPACITOR	10uF 10V M	
					C617	NCB31HK-103X	C CAPACITOR	0.01uF 50V K	

Panel A control board

Block No. [0][3]

△ Symbol No.	Part No.	Part Name	Description	Local
IC471	PVI-1004D	IC		
IC472	NJM2107F-X	IC		
IC473	NJU7109F3-X	IC		
IC474	MM1108XF-X	IC		
IC501	S-80824CNNB-G-W	IC		
IC511	MN103SB9NEJ	IC		
IC581	SA16M90TFIR12E	IC(PROGRAMED)		
IC585	RS-771-X	RM.RECEIVER		
IC601	MB87P2040PMT	IC(DIGITAL)		
IC651	RB5P0090M	IC		
IC652	MB90097PFV001EX	IC		
IC661	NJM2871BF25-X	IC		
Q401	2SA1530A/QR/-X	TRANSISTOR		
Q402	2SA1530A/QR/-X	TRANSISTOR		
Q403	RT1N141C-X	DIGI TRANSISTOR		
Q404	RT1N141C-X	DIGI TRANSISTOR		
Q405	2SC3928A/QR/-X	TRANSISTOR		
Q406	RT1N141C-X	DIGI TRANSISTOR		
Q407	RT1P141C-X	DIGI TRANSISTOR		
Q408	RT1P141C-X	DIGI TRANSISTOR		
Q409	RT1P141C-X	DIGI TRANSISTOR		
Q451	2SA1530A/QR/-X	TRANSISTOR		
Q452	2SA1530A/QR/-X	TRANSISTOR		
Q453	2SA1530A/QR/-X	TRANSISTOR		
Q501	2SC3928A/QR/-X	TRANSISTOR		
Q655	2SC4097/R/-X	TRANSISTOR		
Q660	RT1N141C-X	DIGI TRANSISTOR		
Q6601	2SA1530A/QR/-X	TRANSISTOR		
Q6602	2SC3928A/QR/-X	TRANSISTOR		
Q6603	2SA1530A/QR/-X	TRANSISTOR		
D401	SML310BA1T/HJ-X	LED		
D402	SML310BA1T/HJ-X	LED		
D403	SML310BA1T/HJ-X	LED		
D404	NECBB205/WPQR/X	LED		
D405	NECBB205/WPQR/X	LED		
D406	NECBB205/WPQR/X	LED		
D407	NECBB205/WPQR/X	LED		
D408	NECBB205/WPQR/X	LED		
D409	NECBB205/WPQR/X	LED		
D410	SML310BA1T/HJ-X	LED		
D411	SML310BA1T/HJ-X	LED		
D412	SML310BA1T/HJ-X	LED		

△ Symbol No.	Part No.	Part Name	Description	Local	△ Symbol No.	Part No.	Part Name	Description	Local
C618	NCB31HK-103X	C CAPACITOR	0.01uF 50V K		R407	NRSA63J-102X	MG RESISTOR	1kΩ 1/16W J	
C619	NCB31HK-103X	C CAPACITOR	0.01uF 50V K		R409	NRSA63J-471X	MG RESISTOR	470Ω 1/16W J	
C620	NCB31HK-103X	C CAPACITOR	0.01uF 50V K		R410	NRSA63J-561X	MG RESISTOR	560Ω 1/16W J	
C621	NCB31HK-103X	C CAPACITOR	0.01uF 50V K		R414	NRSA63J-821X	MG RESISTOR	820Ω 1/16W J	
C622	NCB31HK-103X	C CAPACITOR	0.01uF 50V K		R415	NRSA63J-102X	MG RESISTOR	1kΩ 1/16W J	
C623	NCB20JK-106X	C CAPACITOR	10uF 6.3V K		R416	NRSA63J-122X	MG RESISTOR	1.2kΩ 1/16W J	
C624	NCB31HK-103X	C CAPACITOR	0.01uF 50V K		R417	NRSA63J-102X	MG RESISTOR	1kΩ 1/16W J	
C625	NCB31HK-103X	C CAPACITOR	0.01uF 50V K		R419	NRSA63J-471X	MG RESISTOR	470Ω 1/16W J	
C626	NCB20JK-106X	C CAPACITOR	10uF 6.3V K		R420	NRSA63J-561X	MG RESISTOR	560Ω 1/16W J	
C627	NCB30JK-105X	C CAPACITOR	1uF 6.3V K		R421	NRSA63J-122X	MG RESISTOR	1.2kΩ 1/16W J	
C628	NDC31HJ-101X	C CAPACITOR	100pF 50V J		R422	NRSA63J-102X	MG RESISTOR	1kΩ 1/16W J	
C629	NCB30JK-105X	C CAPACITOR	1uF 6.3V K		R424	NRSA63J-471X	MG RESISTOR	470Ω 1/16W J	
C630	NCB31HK-103X	C CAPACITOR	0.01uF 50V K		R425	NRSA63J-561X	MG RESISTOR	560Ω 1/16W J	
C631	NCB31HK-103X	C CAPACITOR	0.01uF 50V K		R429	NRSA63J-152X	MG RESISTOR	1.5kΩ 1/16W J	
C632	NCB30JK-105X	C CAPACITOR	1uF 6.3V K		R431	NRSA63J-122X	MG RESISTOR	1.2kΩ 1/16W J	
C633	NCB31HK-103X	C CAPACITOR	0.01uF 50V K		R432	NRSA63J-122X	MG RESISTOR	1.2kΩ 1/16W J	
C634	NDC31HJ-101X	C CAPACITOR	100pF 50V J		R433	NRSA63J-102X	MG RESISTOR	1kΩ 1/16W J	
C635	NCB31HK-103X	C CAPACITOR	0.01uF 50V K		R434	NRSA63J-152X	MG RESISTOR	1.5kΩ 1/16W J	
C636	NCB31CK-104X	C CAPACITOR	0.1uF 16V K		R436	NRSA63J-122X	MG RESISTOR	1.2kΩ 1/16W J	
C637	NCB31HK-103X	C CAPACITOR	0.01uF 50V K		R437	NRSA63J-122X	MG RESISTOR	1.2kΩ 1/16W J	
C638	NCB31CK-104X	C CAPACITOR	0.1uF 16V K		R438	NRSA63J-102X	MG RESISTOR	1kΩ 1/16W J	
C639	NCB31HK-103X	C CAPACITOR	0.01uF 50V K		R439	NRSA63J-561X	MG RESISTOR	560Ω 1/16W J	
C651	NCB31CK-104X	C CAPACITOR	0.1uF 16V K		R444	NRSA63J-471X	MG RESISTOR	470Ω 1/16W J	
C652	NCB31HK-103X	C CAPACITOR	0.01uF 50V K		R445	NRSA63J-331X	MG RESISTOR	330Ω 1/16W J	
C653	NCB31HK-682X	C CAPACITOR	6800pF 50V K		R446	NRSA63J-471X	MG RESISTOR	470Ω 1/16W J	
C654	NCB30JK-105X	C CAPACITOR	1uF 6.3V K		R447	NRSA63J-471X	MG RESISTOR	470Ω 1/16W J	
C655	NDC31HJ-821X	C CAPACITOR	820pF 50V J		R448	NRSA63J-562X	MG RESISTOR	5.6kΩ 1/16W J	
C656	NCB30JK-105X	C CAPACITOR	1uF 6.3V K		R449	NRSA63J-473X	MG RESISTOR	47kΩ 1/16W J	
C657	NBE21AM-106X	TA E CAPACITOR	10uF 10V M		R451	NRSA63J-152X	MG RESISTOR	1.5kΩ 1/16W J	
C658	NCB31CK-104X	C CAPACITOR	0.1uF 16V K		R452	NRSA63J-301X	MG RESISTOR	300Ω 1/16W J	
C659	NCB31CK-104X	C CAPACITOR	0.1uF 16V K		R453	NRSA63J-271X	MG RESISTOR	270Ω 1/16W J	
C660	NCB31CK-104X	C CAPACITOR	0.1uF 16V K		R454	NRSA63J-391X	MG RESISTOR	390Ω 1/16W J	
C661	NCB31CK-104X	C CAPACITOR	0.1uF 16V K		R455	NRSA63J-561X	MG RESISTOR	560Ω 1/16W J	
C662	NCB31CK-104X	C CAPACITOR	0.1uF 16V K		R456	NRSA63J-473X	MG RESISTOR	47kΩ 1/16W J	
C663	NCB31CK-104X	C CAPACITOR	0.1uF 16V K		R457	NRSA63J-152X	MG RESISTOR	1.5kΩ 1/16W J	
C664	NCB31AK-474X	C CAPACITOR	0.47uF 10V K		R458	NRSA63J-301X	MG RESISTOR	300Ω 1/16W J	
C665	NCB31HK-103X	C CAPACITOR	0.01uF 50V K		R459	NRSA63J-271X	MG RESISTOR	270Ω 1/16W J	
C666	NDC31HJ-8R0X	C CAPACITOR	8pF 50V J		R460	NRSA63J-391X	MG RESISTOR	390Ω 1/16W J	
C667	NDC31HJ-8R0X	C CAPACITOR	8pF 50V J		R461	NRSA63J-473X	MG RESISTOR	47kΩ 1/16W J	
C668	NCB31HK-103X	C CAPACITOR	0.01uF 50V K		R462	NRSA63J-152X	MG RESISTOR	1.5kΩ 1/16W J	
C669	NCB31CK-104X	C CAPACITOR	0.1uF 16V K		R463	NRSA63J-301X	MG RESISTOR	300Ω 1/16W J	
C670	NBE41AM-476X	TA E CAPACITOR	47uF 10V M		R464	NRSA63J-271X	MG RESISTOR	270Ω 1/16W J	
C671	NCJ11EK-106X-R	C CAPACITOR	10uF 25V		R465	NRSA63J-391X	MG RESISTOR	390Ω 1/16W J	
C671	or NCJ11EK-106X-A	C CAPACITOR	10uF 25V K		R466	NRSA63J-561X	MG RESISTOR	560Ω 1/16W J	
C674	NCJ11EK-106X-R	C CAPACITOR	10uF 25V		R467	NRSA63J-473X	MG RESISTOR	47kΩ 1/16W J	
C674	or NCJ11EK-106X-A	C CAPACITOR	10uF 25V K		R468	NRSA63J-474X	MG RESISTOR	470kΩ 1/16W J	
C677	NCB31CK-104X	C CAPACITOR	0.1uF 16V K		R469	NRSA63J-561X	MG RESISTOR	560Ω 1/16W J	
C678	NCJ11EK-106X-R	C CAPACITOR	10uF 25V		R471	NRSA63J-103X	MG RESISTOR	10kΩ 1/16W J	
C678	or NCJ11EK-106X-A	C CAPACITOR	10uF 25V K		R472	NRSA63J-103X	MG RESISTOR	10kΩ 1/16W J	
C679	NCB31CK-104X	C CAPACITOR	0.1uF 16V K		R473	NRSA63J-513X	MG RESISTOR	51kΩ 1/16W J	
C680	NCB31CK-104X	C CAPACITOR	0.1uF 16V K		R474	NRSA63J-822X	MG RESISTOR	8.2kΩ 1/16W J	
C681	NCB30JK-105X	C CAPACITOR	1uF 6.3V K		R475	NRSA63J-683X	MG RESISTOR	68kΩ 1/16W J	
C682	NCB31CK-104X	C CAPACITOR	0.1uF 16V K		R476	NRSA63J-563X	MG RESISTOR	56kΩ 1/16W J	
C683	NBE51AM-107X	TA E CAPACITOR	100uF 10V M		R477	NRSA63J-204X	MG RESISTOR	200kΩ 1/16W J	
C687	NDC31HJ-330X	C CAPACITOR	33pF 50V J		R478	NRSA63J-103X	MG RESISTOR	10kΩ 1/16W J	
C688	NDC31HJ-330X	C CAPACITOR	33pF 50V J		R479	NRSA63J-104X	MG RESISTOR	100kΩ 1/16W J	
C689	NCB31CK-104X	C CAPACITOR	0.1uF 16V K		R481	NRSA63J-102X	MG RESISTOR	1kΩ 1/16W J	
C690	NCB31CK-104X	C CAPACITOR	0.1uF 16V K		R482	NRSA63J-101X	MG RESISTOR	100Ω 1/16W J	
C4461	NCB30JK-105X	C CAPACITOR	1uF 6.3V K		R483	NRSA63J-101X	MG RESISTOR	100Ω 1/16W J	
C4462	NCB31HK-102X	C CAPACITOR	1000pF 50V K		R484	NRSA63J-101X	MG RESISTOR	100Ω 1/16W J	
C4463	NCB30JK-105X	C CAPACITOR	1uF 6.3V K		R485	NRSA63J-101X	MG RESISTOR	100Ω 1/16W J	
C4464	NBE20JM-335X	TA E CAPACITOR	3.3uF 6.3V M		R486	NRSA63J-101X	MG RESISTOR	100Ω 1/16W J	
C4465	NCB31HK-392X	C CAPACITOR	3900pF 50V K		R487	NRSA63J-101X	MG RESISTOR	100Ω 1/16W J	
C4466	NDC31HJ-561X	C CAPACITOR	560pF 50V J		R490	NRSA63J-0R0X	MG RESISTOR	0Ω 1/16W J	
C4467	NCB31CK-473X	C CAPACITOR	0.047uF 16V K		R491	NRSA63J-0R0X	MG RESISTOR	0Ω 1/16W J	
C4711	NDC31HJ-100X	C CAPACITOR	10pF 50V J		R492	NRSA63J-101X	MG RESISTOR	100Ω 1/16W J	
C6533	NCB31CK-104X	C CAPACITOR	0.1uF 16V K		R493	NRSA63J-101X	MG RESISTOR	100Ω 1/16W J	
C6601	NCB31HK-103X	C CAPACITOR	0.01uF 50V K		R494	NRSA63J-101X	MG RESISTOR	100Ω 1/16W J	
C6602	NBE21AM-106X	TA E CAPACITOR	10uF 10V M		R497	NRSA63J-103X	MG RESISTOR	10kΩ 1/16W J	
C6603	NCB31HK-103X	C CAPACITOR	0.01uF 50V K		R501	NRSA63J-473X	MG RESISTOR	47kΩ 1/16W J	
C6604	NCB20JK-106X	C CAPACITOR	10uF 6.3V K		R502	NRSA63J-474X	MG RESISTOR	470kΩ 1/16W J	
C6605	NCB20JK-106X	C CAPACITOR	10uF 6.3V K		R504	NRSA63J-102X	MG RESISTOR	1kΩ 1/16W J	
R401	NRSA63J-122X	MG RESISTOR	1.2kΩ 1/16W J		R505	NRSA63J-473X	MG RESISTOR	47kΩ 1/16W J	
R402	NRSA63J-102X	MG RESISTOR	1kΩ 1/16W J		R506	NRSA63J-222X	MG RESISTOR	2.2kΩ 1/16W J	
R404	NRSA63J-471X	MG RESISTOR	470Ω 1/16W J		R507	NRSA63J-102X	MG RESISTOR	1kΩ 1/16W J	
R405	NRSA63J-561X	MG RESISTOR	560Ω 1/16W J		R508	NRSA63J-394X	MG RESISTOR	390kΩ 1/16W J	
R406	NRSA63J-122X	MG RESISTOR	1.2kΩ 1/16W J		R509	NRSA63J-471X	MG RESISTOR	470Ω 1/16W J	
					R510	NRSA63J-102X	MG RESISTOR	1kΩ 1/16W J	

△ Symbol No.	Part No.	Part Name	Description	Local	△ Symbol No.	Part No.	Part Name	Description	Local
R512	NRSA63J-471X	MG RESISTOR	470Ω 1/16W J		R653	NRSA63J-105X	MG RESISTOR	1MΩ 1/16W J	
R513	NRSA63J-471X	MG RESISTOR	470Ω 1/16W J		R654	NRSA63J-300X	MG RESISTOR	30Ω 1/16W J	
R514	NRSA63J-102X	MG RESISTOR	1kΩ 1/16W J		R655	NRSA63J-561X	MG RESISTOR	560Ω 1/16W J	
R515	NRSA63J-102X	MG RESISTOR	1kΩ 1/16W J		R656	NRSA63J-105X	MG RESISTOR	1MΩ 1/16W J	
R516	NRSA63J-102X	MG RESISTOR	1kΩ 1/16W J		R657	NRSA63J-562X	MG RESISTOR	5.6kΩ 1/16W J	
R517	NRSA63J-102X	MG RESISTOR	1kΩ 1/16W J		R658	NRSA63J-822X	MG RESISTOR	8.2kΩ 1/16W J	
R518	NRSA63J-102X	MG RESISTOR	1kΩ 1/16W J		R659	NRSA63J-222X	MG RESISTOR	2.2kΩ 1/16W J	
R519	NRSA63J-102X	MG RESISTOR	1kΩ 1/16W J		R660	NRSA63J-681X	MG RESISTOR	680Ω 1/16W J	
R520	NRSA63J-102X	MG RESISTOR	1kΩ 1/16W J		R661	NRSA63J-101X	MG RESISTOR	100Ω 1/16W J	
R521	NRSA63J-102X	MG RESISTOR	1kΩ 1/16W J		R662	NRSA63J-101X	MG RESISTOR	100Ω 1/16W J	
R522	NRSA63J-102X	MG RESISTOR	1kΩ 1/16W J		R663	NRSA63J-101X	MG RESISTOR	100Ω 1/16W J	
R523	NRSA63J-102X	MG RESISTOR	1kΩ 1/16W J		R664	NRSA63J-103X	MG RESISTOR	10kΩ 1/16W J	
R524	NRSA63J-102X	MG RESISTOR	1kΩ 1/16W J		R671	NRSA63J-100X	MG RESISTOR	10Ω 1/16W J	
R525	NRSA63J-102X	MG RESISTOR	1kΩ 1/16W J		R672	NRSA63J-0R0X	MG RESISTOR	0Ω 1/16W J	
R526	NRSA63J-471X	MG RESISTOR	470Ω 1/16W J		R674	NRSA63F-183X	MG RESISTOR	18kΩ 1/16W F	
R527	NRSA63J-471X	MG RESISTOR	470Ω 1/16W J		R675	NRSA63J-271X	MG RESISTOR	270Ω 1/16W J	
R530	NRSA63J-0R0X	MG RESISTOR	0Ω 1/16W J		R676	NRSA63J-392X	MG RESISTOR	3.9kΩ 1/16W J	
R531	NRSA63J-473X	MG RESISTOR	47kΩ 1/16W J		R678	NRSA63J-102X	MG RESISTOR	1kΩ 1/16W J	
R542	NRSA63J-471X	MG RESISTOR	470Ω 1/16W J		R679	NRSA63J-392X	MG RESISTOR	3.9kΩ 1/16W J	
R544	NRSA63J-471X	MG RESISTOR	470Ω 1/16W J		R681	NRSA63J-102X	MG RESISTOR	1kΩ 1/16W J	
R545	NRSA63J-471X	MG RESISTOR	470Ω 1/16W J		R682	NRSA63J-392X	MG RESISTOR	3.9kΩ 1/16W J	
R546	NRSA63J-471X	MG RESISTOR	470Ω 1/16W J		R684	NRSA63J-102X	MG RESISTOR	1kΩ 1/16W J	
R547	NRSA63J-0R0X	MG RESISTOR	0Ω 1/16W J		R686	NRSA63J-473X	MG RESISTOR	47kΩ 1/16W J	
R548	NRSA63J-101X	MG RESISTOR	100Ω 1/16W J		R687	NRSA63J-473X	MG RESISTOR	47kΩ 1/16W J	
R549	NRSA63J-471X	MG RESISTOR	470Ω 1/16W J		R688	NRSA63J-473X	MG RESISTOR	47kΩ 1/16W J	
R550	NRSA63J-471X	MG RESISTOR	470Ω 1/16W J		R690	NRSA63J-300X	MG RESISTOR	30Ω 1/16W J	
R551	NRSA63J-471X	MG RESISTOR	470Ω 1/16W J		R691	NRSA63J-750X	MG RESISTOR	75Ω 1/16W J	
R556	NRSA63J-471X	MG RESISTOR	470Ω 1/16W J		R692	NRSA63J-0R0X	MG RESISTOR	0Ω 1/16W J	
R561	NRSA63J-102X	MG RESISTOR	1kΩ 1/16W J		R693	NRSA63J-0R0X	MG RESISTOR	0Ω 1/16W J	
R562	NRSA63J-103X	MG RESISTOR	10kΩ 1/16W J		R694	NRSA63J-0R0X	MG RESISTOR	0Ω 1/16W J	
R573	NRSA63J-102X	MG RESISTOR	1kΩ 1/16W J		R695	NRSA63J-0R0X	MG RESISTOR	0Ω 1/16W J	
R574	NRSA63J-471X	MG RESISTOR	470Ω 1/16W J		R696	NRSA63J-0R0X	MG RESISTOR	0Ω 1/16W J	
R575	NRSA63J-102X	MG RESISTOR	1kΩ 1/16W J		R697	NRSA63J-103X	MG RESISTOR	10kΩ 1/16W J	
R576	NRSA63J-102X	MG RESISTOR	1kΩ 1/16W J		R699	NRSA63J-103X	MG RESISTOR	10kΩ 1/16W J	
R577	NRSA63J-102X	MG RESISTOR	1kΩ 1/16W J		R4461	NRSA63J-103X	MG RESISTOR	10kΩ 1/16W J	
R578	NRSA63J-473X	MG RESISTOR	47kΩ 1/16W J		R4462	NRSA63J-561X	MG RESISTOR	560Ω 1/16W J	
R581	NRSA63J-102X	MG RESISTOR	1kΩ 1/16W J		R4463	NRSA63J-102X	MG RESISTOR	1kΩ 1/16W J	
R584	NRSA63J-103X	MG RESISTOR	10kΩ 1/16W J		R4464	NRSA63J-334X	MG RESISTOR	330kΩ 1/16W J	
R585	NRSA63J-0R0X	MG RESISTOR	0Ω 1/16W J		R4465	NRSA63J-102X	MG RESISTOR	1kΩ 1/16W J	
R587	NRSA63J-470X	MG RESISTOR	47Ω 1/16W J		R4466	NRSA63J-823X	MG RESISTOR	82kΩ 1/16W J	
R589	NRSA63J-0R0X	MG RESISTOR	0Ω 1/16W J		R4467	NRSA63J-104X	MG RESISTOR	100kΩ 1/16W J	
R591	NRSA63J-562X	MG RESISTOR	5.6kΩ 1/16W J		R4468	NRSA63J-103X	MG RESISTOR	10kΩ 1/16W J	
R592	NRSA63J-473X	MG RESISTOR	47kΩ 1/16W J		R4469	NRSA63J-103X	MG RESISTOR	10kΩ 1/16W J	
R593	NRSA63J-473X	MG RESISTOR	47kΩ 1/16W J		R4474	NRSA63J-103X	MG RESISTOR	10kΩ 1/16W J	
R594	NRSA63J-562X	MG RESISTOR	5.6kΩ 1/16W J		R4485	NRSA63J-102X	MG RESISTOR	1kΩ 1/16W J	
R595	NRSA63J-0R0X	MG RESISTOR	0Ω 1/16W J		R4486	NRSA63J-561X	MG RESISTOR	560Ω 1/16W J	
R596	NRSA63J-473X	MG RESISTOR	47kΩ 1/16W J		R4487	NRSA63J-103X	MG RESISTOR	10kΩ 1/16W J	
R597	NRSA63J-0R0X	MG RESISTOR	0Ω 1/16W J		R4489	NRSA63J-0R0X	MG RESISTOR	0Ω 1/16W J	
R599	NRSA63J-0R0X	MG RESISTOR	0Ω 1/16W J		R4711	NRSA63J-100X	MG RESISTOR	10Ω 1/16W J	
R601	NRSA63J-121X	MG RESISTOR	120Ω 1/16W J		R4731	NRVA63B-223X	CMF RESISTOR	22kΩ 1/16W B	
R602	NRSA63J-121X	MG RESISTOR	120Ω 1/16W J		R4733	NRSA63J-101X	MG RESISTOR	100Ω 1/16W J	
R603	NRSA63J-121X	MG RESISTOR	120Ω 1/16W J		R4734	NRVA63B-562X	CMF RESISTOR	5.6kΩ 1/16W B	
R604	NRSA63J-220X	MG RESISTOR	22Ω 1/16W J		R4735	NRVA63B-562X	CMF RESISTOR	5.6kΩ 1/16W B	
R605	NRSA63J-220X	MG RESISTOR	22Ω 1/16W J		R4736	NRSA63D-823X	MG RESISTOR	82kΩ 1/16W D	
R606	NRSA63J-272X	MG RESISTOR	2.7kΩ 1/16W J		R6531	NRSA63J-0R0X	MG RESISTOR	0Ω 1/16W J	
R607	NRSA63J-220X	MG RESISTOR	22Ω 1/16W J		R6537	NRSA63J-0R0X	MG RESISTOR	0Ω 1/16W J	
R608	NRSA63J-101X	MG RESISTOR	100Ω 1/16W J		R6541	NRSA63J-470X	MG RESISTOR	47Ω 1/16W J	
R610	NRSA63J-0R0X	MG RESISTOR	0Ω 1/16W J		R6542	NRSA63J-0R0X	MG RESISTOR	0Ω 1/16W J	
R611	NRSA63J-0R0X	MG RESISTOR	0Ω 1/16W J		R6601	NRSA63J-223X	MG RESISTOR	22kΩ 1/16W J	
R612	NRSA63J-0R0X	MG RESISTOR	0Ω 1/16W J		R6602	NRSA63J-103X	MG RESISTOR	10kΩ 1/16W J	
R613	NRSA63J-0R0X	MG RESISTOR	0Ω 1/16W J		R6603	NRSA63J-102X	MG RESISTOR	1kΩ 1/16W J	
R614	NRSA63J-0R0X	MG RESISTOR	0Ω 1/16W J		R6604	NRSA63J-473X	MG RESISTOR	47kΩ 1/16W J	
R615	NRSA63J-0R0X	MG RESISTOR	0Ω 1/16W J		R6605	NRSA63J-473X	MG RESISTOR	47kΩ 1/16W J	
R616	NRSA63J-103X	MG RESISTOR	10kΩ 1/16W J		R6606	NRSA63J-103X	MG RESISTOR	10kΩ 1/16W J	
R617	NRSA63J-103X	MG RESISTOR	10kΩ 1/16W J		R6703	NRSA63J-0R0X	MG RESISTOR	0Ω 1/16W J	
R618	NRSA63J-103X	MG RESISTOR	10kΩ 1/16W J		RA511	NRZ0065-471X	NET RESISTOR	470Ω	
R619	NRSA63J-103X	MG RESISTOR	10kΩ 1/16W J		RA512	NRZ0065-471X	NET RESISTOR	470Ω	
R620	NRSA63J-103X	MG RESISTOR	10kΩ 1/16W J		RA513	NRZ0065-471X	NET RESISTOR	470Ω	
R621	NRSA63J-103X	MG RESISTOR	10kΩ 1/16W J		RA514	NRZ0065-471X	NET RESISTOR	470Ω	
R622	NRSA63J-103X	MG RESISTOR	10kΩ 1/16W J		RA515	NRZ0065-471X	NET RESISTOR	470Ω	
R625	NRSA63J-0R0X	MG RESISTOR	0Ω 1/16W J		RA516	NRZ0065-471X	NET RESISTOR	470Ω	
R626	NRSA63J-0R0X	MG RESISTOR	0Ω 1/16W J		RA517	NRZ0065-471X	NET RESISTOR	470Ω	
R627	NRSA63J-103X	MG RESISTOR	10kΩ 1/16W J		RA518	NRZ0065-471X	NET RESISTOR	470Ω	
R628	NRSA63J-103X	MG RESISTOR	10kΩ 1/16W J		RA519	NRZ0065-471X	NET RESISTOR	470Ω	
R630	NRSA63J-102X	MG RESISTOR	1kΩ 1/16W J						
R631	NRSA63J-0R0X	MG RESISTOR	0Ω 1/16W J		L401	NQL085J-470X	COIL	47uH J	
R651	NRSA63J-103X	MG RESISTOR	10kΩ 1/16W J		L402	NQL085J-470X	COIL	47uH J	
R652	NRSA63J-105X	MG RESISTOR	1MΩ 1/16W J		L403	NQL085J-470X	COIL	47uH J	

△ Symbol No.	Part No.	Part Name	Description	Local	△ Symbol No.	Part No.	Part Name	Description	Local
L471	NQL79GM-220X	COIL	22uH M		D5015	UDZW5.6B-X	Z DIODE		
L472	NQL085J-470X	COIL	47uH J		D5015 or	MA8056-X	Z DIODE		
L473	NQL085J-150X	COIL	15uH J		D5016	UDZW5.6B-X	Z DIODE		
L501	NQL79GM-100X	COIL	10uH M		D5016 or	MA8056-X	Z DIODE		
L601	NQR0022-005X	FERRITE BEADS			D5017	UDZW5.6B-X	Z DIODE		
L602	NQL79GM-100X	COIL	10uH M		D5017 or	MA8056-X	Z DIODE		
L603	NQL79GM-100X	COIL	10uH M		D5018	UDZW5.6B-X	Z DIODE		
L652	NQL382M-470X	COIL	47uH M		D5018 or	MA8056-X	Z DIODE		
L653	NQL382M-470X	COIL	47uH M		D5019	UDZW13B-X	Z DIODE		
L654	NQL382M-470X	COIL	47uH M		D5019 or	MA8130-X	Z DIODE		
L655	NQL085J-330X	COIL	33uH J		D5020	UDZW5.6B-X	Z DIODE		
L656	NQL382M-470X	COIL	47uH M		D5020 or	MA8056-X	Z DIODE		
					D5021	UDZW5.6B-X	Z DIODE		
CN401	QGF0523F3-30W	CONNECTOR	FFC/FPC (1-30)		D5021 or	MA8056-X	Z DIODE		
CN583	QGF0523F2-30W	CONNECTOR	FFC/FPC (1-30)		D5022	UDZW5.6B-X	Z DIODE		
K601	NQR0022-005X	FERRITE BEADS			D5022 or	MA8056-X	Z DIODE		
K602	NQR0022-005X	FERRITE BEADS							
K603	NQR0022-005X	FERRITE BEADS			C5001	NCB10JK-106X	C CAPACITOR	10uF 6.3V K	
K604	NQR0022-005X	FERRITE BEADS			C5002	NCB10JK-106X	C CAPACITOR	10uF 6.3V K	
K605	NQR0022-005X	FERRITE BEADS			C5003	NCB10JK-106X	C CAPACITOR	10uF 6.3V K	
S451	NSW0246-001X	TACK SW			C5004	NCB10JK-106X	C CAPACITOR	10uF 6.3V K	
S452	NSW0124-001X	TACT SW			C5005	NCB10JK-106X	C CAPACITOR	10uF 6.3V K	
S453	NSW0124-001X	TACT SW			C5006	NCB31CK-104X	C CAPACITOR	0.1uF 16V K	
S454	NSW0246-001X	TACK SW			C5007	NCB31HK-103X	C CAPACITOR	0.01uF 50V K	
S455	NSW0246-001X	TACK SW			C5008	NCB31HK-103X	C CAPACITOR	0.01uF 50V K	
S456	NSW0246-001X	TACK SW			C5009	NDC31HJ-101X	C CAPACITOR	100pF 50V J	
S457	NSW0246-001X	TACK SW			C5010	NDC31HJ-101X	C CAPACITOR	100pF 50V J	
S458	NSW0246-001X	TACK SW							
S459	NSW0246-001X	TACK SW			R5001	NRSA63J-102X	MG RESISTOR	1kΩ 1/16W J	
S460	NSW0246-001X	TACK SW			R5002	NRSA63J-104X	MG RESISTOR	100kΩ 1/16W J	
S461	NSW0124-001X	TACT SW			R5003	NRSA63J-272X	MG RESISTOR	2.7kΩ 1/16W J	
S462	NSW0124-001X	TACT SW							
S463	NSW0246-001X	TACK SW			L5001	NQL79GM-100X	COIL	10uH M	
S464	NSW0246-001X	TACK SW			L5002	NQL79GM-100X	COIL	10uH M	
S465	NSW0246-001X	TACK SW			L5003	NQL79GM-100X	COIL	10uH M	
S501	NSW0246-001X	TACK SW			L5004	NQL79GM-100X	COIL	10uH M	
X511	NAX0841-001X	C RESONATOR							
X601	NAX0367-001X	CRYSTAL			CN501	QGZ2204M1-24X	CONNECTOR	(1-24)	
X651	NAX0727-001X	CRYSTAL	3.579545MHz		CN502	QGF0523F2-30W	CONNECTOR	FFC/FPC (1-30)	
X652	NAX0728-001X	CRYSTAL	4.43361875MHz						

Panel B control board

Block No. [0][4]

△ Symbol No.	Part No.	Part Name	Description	Local
Q502	2SA1530A/QR/-X	TRANSISTOR		
D5001	UDZW24B-X	Z DIODE		
D5001 or	MA8240-X	Z DIODE		
D5002	UDZW5.6B-X	Z DIODE		
D5002 or	MA8056-X	Z DIODE		
D5003	UDZW5.6B-X	Z DIODE		
D5003 or	MA8056-X	Z DIODE		
D5004	UDZW5.6B-X	Z DIODE		
D5004 or	MA8056-X	Z DIODE		
D5005	UDZW5.6B-X	Z DIODE		
D5005 or	MA8056-X	Z DIODE		
D5006	UDZW5.6B-X	Z DIODE		
D5006 or	MA8056-X	Z DIODE		
D5007	UDZW5.6B-X	Z DIODE		
D5007 or	MA8056-X	Z DIODE		
D5008	UDZW20B-X	Z DIODE		
D5008 or	MA8200-X	Z DIODE		
D5009	UDZW5.6B-X	Z DIODE		
D5009 or	MA8056-X	Z DIODE		
D5010	UDZW5.6B-X	Z DIODE		
D5010 or	MA8056-X	Z DIODE		
D5011	UDZW5.6B-X	Z DIODE		
D5011 or	MA8056-X	Z DIODE		
D5012	UDZW5.6B-X	Z DIODE		
D5012 or	MA8056-X	Z DIODE		
D5013	UDZW5.6B-X	Z DIODE		
D5013 or	MA8056-X	Z DIODE		

Front end board

Block No. [0][5]

△ Symbol No.	Part No.	Part Name	Description	Local
IC201	BA5835FM-X	IC		
IC251	BD6671FM-X	IC		
IC301	MN2DS0009AA	IC		
IC302	BA00HC5WF-X	IC		
IC304	S-80827CNNB-G-W	IC		
IC398	SG32M90TFIR34J	IC(PROGRAMED)		
IC399	EDS1232AATA-75	IC(DIGITAL)		
IC481	BR24L16F-W-X	IC(DIGITAL)		
Q101	2SB1424/R/-W	TRANSISTOR		
Q102	2SC4617/R/-X	TRANSISTOR		
Q103	2SB1424/R/-W	TRANSISTOR		
Q104	2SC4617/R/-X	TRANSISTOR		
Q105	2SC4617/R/-X	TRANSISTOR		
Q106	2SK3019-X	MOS FET		
Q107	2SK3019-X	MOS FET		
Q231	DTC114EE-X	DIGI TRANSISTOR		
Q301	DTC144EE-X	DIGI TRANSISTOR		
Q302	DTC144EE-X	DIGI TRANSISTOR		
C1	NCB31CK-104X	C CAPACITOR	0.1uF 16V K	
C2	NCB31CK-104X	C CAPACITOR	0.1uF 16V K	
C3	NCB31CK-104X	C CAPACITOR	0.1uF 16V K	
C4	NCB31CK-104X	C CAPACITOR	0.1uF 16V K	
C5	NCB31CK-104X	C CAPACITOR	0.1uF 16V K	
C6	NCB31CK-104X	C CAPACITOR	0.1uF 16V K	
C7	NCB31CK-104X	C CAPACITOR	0.1uF 16V K	
C8	NCB31CK-104X	C CAPACITOR	0.1uF 16V K	
C9	NCB31CK-104X	C CAPACITOR	0.1uF 16V K	

△ Symbol No.	Part No.	Part Name	Description	Local	△ Symbol No.	Part No.	Part Name	Description	Local
C11	NCB31CK-104X	C CAPACITOR	0.1uF 16V K		C358	NDC31HJ-5R0X	C CAPACITOR	5pF 50V J	
C12	NCB31CK-104X	C CAPACITOR	0.1uF 16V K		C359	NDC31HJ-5R0X	C CAPACITOR	5pF 50V J	
C13	NCB31CK-104X	C CAPACITOR	0.1uF 16V K		C364	NBE40JM-476X	TA E CAPACITOR	47uF 6.3V M	
C14	NCB31CK-104X	C CAPACITOR	0.1uF 16V K		C365	NCB31CK-104X	C CAPACITOR	0.1uF 16V K	
C15	NCB31CK-104X	C CAPACITOR	0.1uF 16V K		C366	NCB21CK-105X	C CAPACITOR	1uF 16V K	
C16	NCB31CK-104X	C CAPACITOR	0.1uF 16V K		C369	NBE40JM-476X	TA E CAPACITOR	47uF 6.3V M	
C17	NCB31CK-104X	C CAPACITOR	0.1uF 16V K		C371	NCB21CK-105X	C CAPACITOR	1uF 16V K	
C18	NCB31CK-104X	C CAPACITOR	0.1uF 16V K		C380	NCB31CK-104X	C CAPACITOR	0.1uF 16V K	
C101	NCB31CK-104X	C CAPACITOR	0.1uF 16V K		C381	NCB31CK-104X	C CAPACITOR	0.1uF 16V K	
C102	NCB31CK-104X	C CAPACITOR	0.1uF 16V K		C382	NCB31CK-104X	C CAPACITOR	0.1uF 16V K	
C103	NCB31CK-104X	C CAPACITOR	0.1uF 16V K		C383	NCB31CK-104X	C CAPACITOR	0.1uF 16V K	
C104	NCB31CK-104X	C CAPACITOR	0.1uF 16V K		C384	NCB31CK-104X	C CAPACITOR	0.1uF 16V K	
C105	NBE41AM-476X	TA E CAPACITOR	47uF 10V M		C385	NCB31CK-104X	C CAPACITOR	0.1uF 16V K	
C106	NBE41AM-476X	TA E CAPACITOR	47uF 10V M		C386	NCB31CK-104X	C CAPACITOR	0.1uF 16V K	
C108	NBE41AM-476X	TA E CAPACITOR	47uF 10V M		C387	NCB31CK-104X	C CAPACITOR	0.1uF 16V K	
C111	NCB31CK-104X	C CAPACITOR	0.1uF 16V K		C388	NCB31CK-104X	C CAPACITOR	0.1uF 16V K	
C112	NCB31CK-104X	C CAPACITOR	0.1uF 16V K		C391	NCB31CK-104X	C CAPACITOR	0.1uF 16V K	
C201	NEAF1CM-107X	E CAPACITOR	100uF 16V M		C392	NCB31CK-104X	C CAPACITOR	0.1uF 16V K	
C202	NCB31CK-104X	C CAPACITOR	0.1uF 16V K		C393	NCB31CK-104X	C CAPACITOR	0.1uF 16V K	
C203	NCS31HJ-271X	C CAPACITOR	270pF 50V J		C394	NCB31CK-104X	C CAPACITOR	0.1uF 16V K	
C204	NDC31HJ-151X	C CAPACITOR	150pF 50V J		C396	NCB31CK-104X	C CAPACITOR	0.1uF 16V K	
C205	NCB31HK-681X	C CAPACITOR	680pF 50V K		C397	NBE20JM-226X	TA E CAPACITOR	22uF 6.3V M	
C206	NCB31HK-561X	C CAPACITOR	560pF 50V K		C451	NCB31CK-104X	C CAPACITOR	0.1uF 16V K	
C211	NEAF1CM-107X	E CAPACITOR	100uF 16V M		C452	NCB31CK-104X	C CAPACITOR	0.1uF 16V K	
C212	NCB31CK-104X	C CAPACITOR	0.1uF 16V K		C453	NCB31CK-104X	C CAPACITOR	0.1uF 16V K	
C213	NCB31CK-104X	C CAPACITOR	0.1uF 16V K		C454	NCB31CK-104X	C CAPACITOR	0.1uF 16V K	
C221	NCB31HK-223X	C CAPACITOR	0.022uF 50V K		C481	NCB31CK-104X	C CAPACITOR	0.1uF 16V K	
C222	NCB31HK-103X	C CAPACITOR	0.01uF 50V K		C491	NCB31CK-104X	C CAPACITOR	0.1uF 16V K	
C251	NCB31CK-104X	C CAPACITOR	0.1uF 16V K		R101	NRSA63J-910X	MG RESISTOR	91Ω 1/16W J	
C252	NEAF1CM-107X	E CAPACITOR	100uF 16V M		R102	NRSA63J-910X	MG RESISTOR	91Ω 1/16W J	
C253	NCB31CK-104X	C CAPACITOR	0.1uF 16V K		R103	NRSA63D-432X	MG RESISTOR	4.3kΩ 1/16W D	
C254	NBE21AM-106X	TA E CAPACITOR	10uF 10V M		R104	NRSA63D-242X	MG RESISTOR	2.4kΩ 1/16W D	
C255	NCB31CK-104X	C CAPACITOR	0.1uF 16V K		R105	NRS125J-120X	MG RESISTOR	12Ω 1/2W J	
C256	NCB31CK-473X	C CAPACITOR	0.047uF 16V K		R106	NRSA63J-2R2X	MG RESISTOR	2.2Ω 1/16W J	
C257	NCB31HK-102X	C CAPACITOR	1000pF 50V K		R107	NRSA63J-102X	MG RESISTOR	1kΩ 1/16W J	
C258	NCB31HK-102X	C CAPACITOR	1000pF 50V K		R108	NRSA63J-471X	MG RESISTOR	470Ω 1/16W J	
C259	NCB31HK-102X	C CAPACITOR	1000pF 50V K		R109	NRSA63J-331X	MG RESISTOR	330Ω 1/16W J	
C264	NCB31HK-103X	C CAPACITOR	0.01uF 50V K		R110	NRSA63J-0R0X	MG RESISTOR	0Ω 1/16W J	
C265	NCB31CK-104X	C CAPACITOR	0.1uF 16V K		R111	NRSA63D-432X	MG RESISTOR	4.3kΩ 1/16W D	
C266	NCB31CK-104X	C CAPACITOR	0.1uF 16V K		R112	NRSA63D-242X	MG RESISTOR	2.4kΩ 1/16W D	
C267	NCB31HK-103X	C CAPACITOR	0.01uF 50V K		R113	NRS125J-120X	MG RESISTOR	12Ω 1/2W J	
C268	NCB31HK-153X	C CAPACITOR	0.015uF 50V K		R114	NRSA63J-2R2X	MG RESISTOR	2.2Ω 1/16W J	
C301	NEAF0JM-227X	E CAPACITOR	220uF 6.3V M		R115	NRSA63J-102X	MG RESISTOR	1kΩ 1/16W J	
C302	NBE40JM-476X	TA E CAPACITOR	47uF 6.3V M		R116	NRSA63J-471X	MG RESISTOR	470Ω 1/16W J	
C305	NCB31CK-104X	C CAPACITOR	0.1uF 16V K		R117	NRSA63J-331X	MG RESISTOR	330Ω 1/16W J	
C308	NCB31CK-104X	C CAPACITOR	0.1uF 16V K		R118	NRSA63J-0R0X	MG RESISTOR	0Ω 1/16W J	
C309	NCB31CK-104X	C CAPACITOR	0.1uF 16V K		R119	NRSA63J-0R0X	MG RESISTOR	0Ω 1/16W J	
C310	NCB31HK-103X	C CAPACITOR	0.01uF 50V K		R120	NRSA63J-0R0X	MG RESISTOR	0Ω 1/16W J	
C311	NCB31CK-104X	C CAPACITOR	0.1uF 16V K		R122	NRSA63J-0R0X	MG RESISTOR	0Ω 1/16W J	
C312	NCB21CK-105X	C CAPACITOR	1uF 16V K		R123	NRSA63J-0R0X	MG RESISTOR	0Ω 1/16W J	
C313	NCB31CK-104X	C CAPACITOR	0.1uF 16V K		R125	NRS125J-1R0X	MG RESISTOR	1Ω 1/2W J	
C315	NCB31CK-104X	C CAPACITOR	0.1uF 16V K		R126	NRSA02J-0R0X	MG RESISTOR	0Ω 1/10W J	
C316	NCB31CK-105X	C CAPACITOR	1uF 16V K		R127	NRSA63J-103X	MG RESISTOR	10kΩ 1/16W J	
C317	NCB31CK-104X	C CAPACITOR	0.1uF 16V K		R128	NRSA63J-103X	MG RESISTOR	10kΩ 1/16W J	
C318	NCB31CK-104X	C CAPACITOR	0.1uF 16V K		R129	NRSA63J-104X	MG RESISTOR	100kΩ 1/16W J	
C319	NCB31CK-104X	C CAPACITOR	0.1uF 16V K		R201	NRS125J-1R0X	MG RESISTOR	1Ω 1/2W J	
C320	NCB31CK-104X	C CAPACITOR	0.1uF 16V K		R202	NRSA63J-473X	MG RESISTOR	47kΩ 1/16W J	
C321	NCB31CK-104X	C CAPACITOR	0.1uF 16V K		R203	NRSA63J-303X	MG RESISTOR	30kΩ 1/16W J	
C322	NCB31CK-104X	C CAPACITOR	0.1uF 16V K		R204	NRSA63J-273X	MG RESISTOR	27kΩ 1/16W J	
C323	NCB31CK-104X	C CAPACITOR	0.1uF 16V K		R205	NRSA63J-273X	MG RESISTOR	27kΩ 1/16W J	
C324	NCB21CK-105X	C CAPACITOR	1uF 16V K		R206	NRSA63J-0R0X	MG RESISTOR	0Ω 1/16W J	
C325	NDC31HJ-100X	C CAPACITOR	10pF 50V J		R207	NRSA63J-0R0X	MG RESISTOR	0Ω 1/16W J	
C326	NDC31HJ-100X	C CAPACITOR	10pF 50V J		R208	NRSA63J-203X	MG RESISTOR	20kΩ 1/16W J	
C330	NCB31CK-104X	C CAPACITOR	0.1uF 16V K		R209	NRSA63J-223X	MG RESISTOR	22kΩ 1/16W J	
C331	NCB31CK-333X	C CAPACITOR	0.033uF 16V K		R211	NRSA63J-0R0X	MG RESISTOR	0Ω 1/16W J	
C332	NCB31CK-104X	C CAPACITOR	0.1uF 16V K		R219	NRSA63J-153X	MG RESISTOR	15kΩ 1/16W J	
C333	NCB31CK-104X	C CAPACITOR	0.1uF 16V K		R220	NRSA63J-183X	MG RESISTOR	18kΩ 1/16W J	
C335	NCB31CK-104X	C CAPACITOR	0.1uF 16V K		R221	NRSA63J-103X	MG RESISTOR	10kΩ 1/16W J	
C336	NCB31CK-104X	C CAPACITOR	0.1uF 16V K		R222	NRSA63J-103X	MG RESISTOR	10kΩ 1/16W J	
C337	NCB31HK-183X	C CAPACITOR	0.018uF 50V K		R223	NRSA63J-0R0X	MG RESISTOR	0Ω 1/16W J	
C338	NCB31HK-562X	C CAPACITOR	5600pF 50V K		R224	NRSA63J-103X	MG RESISTOR	10kΩ 1/16W J	
C339	NCB31CK-104X	C CAPACITOR	0.1uF 16V K		R231	NRSA63J-272X	MG RESISTOR	2.7kΩ 1/16W J	
C340	NCB21CK-105X	C CAPACITOR	1uF 16V K		R232	NRSA63J-153X	MG RESISTOR	15kΩ 1/16W J	
C341	NCB21CK-105X	C CAPACITOR	1uF 16V K		R233	NRSA63J-0R0X	MG RESISTOR	0Ω 1/16W J	
C347	NCB31CK-104X	C CAPACITOR	0.1uF 16V K		R234	NRSA63J-394X	MG RESISTOR	390kΩ 1/16W J	
C348	NCB31CK-104X	C CAPACITOR	0.1uF 16V K		R235	NRSA63J-682X	MG RESISTOR	6.8kΩ 1/16W J	
C349	NCB31CK-104X	C CAPACITOR	0.1uF 16V K		R251	NRS125J-R47X	MG RESISTOR	0.47Ω 1/2W J	
C350	NCB31CK-104X	C CAPACITOR	0.1uF 16V K						

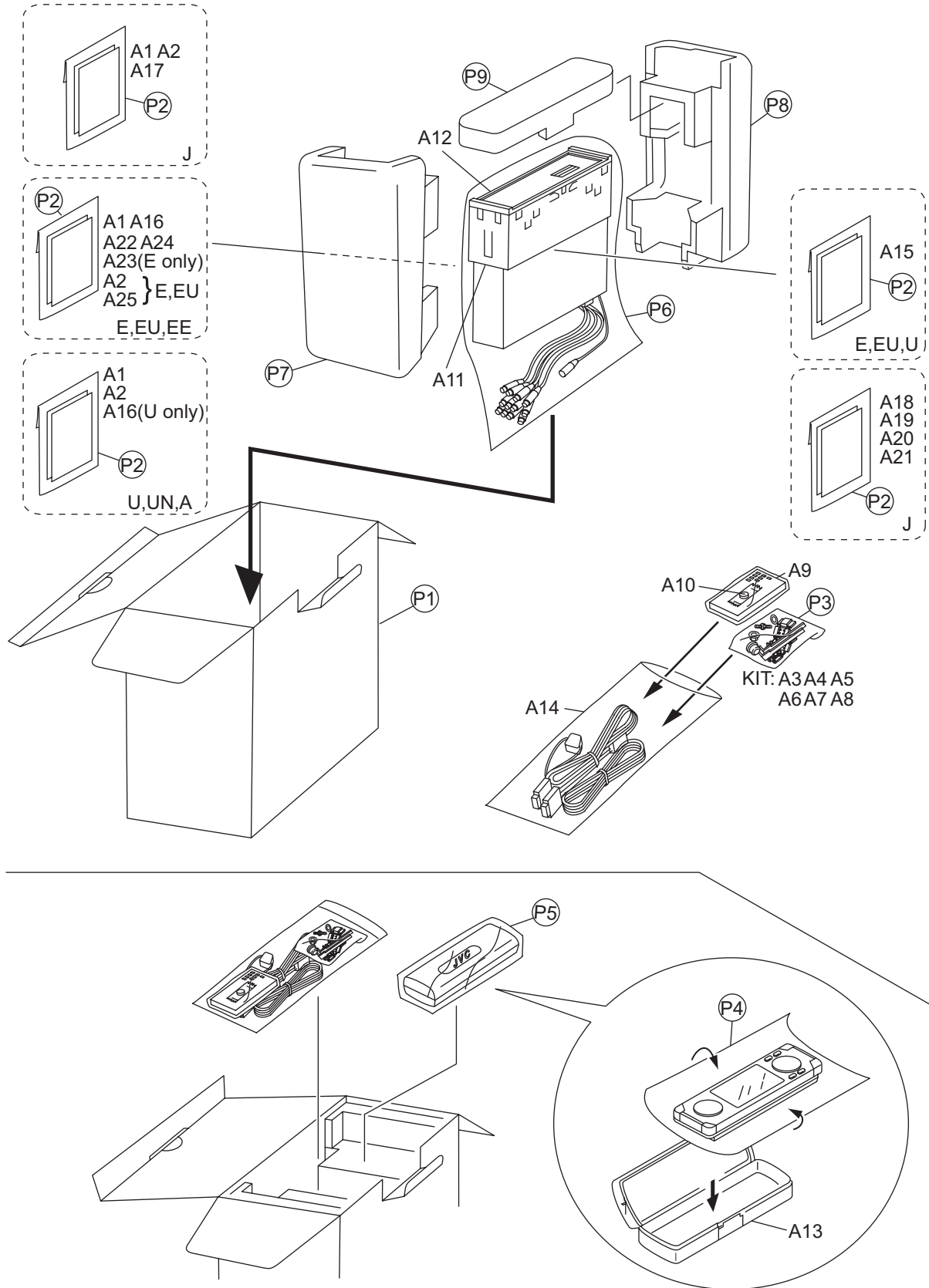
△ Symbol No.	Part No.	Part Name	Description	Local	△ Symbol No.	Part No.	Part Name	Description	Local
R252	NRSA63J-103X	MG RESISTOR	10kΩ 1/16W J		CN101	QGF0501F8-30X	CONNECTOR	FFC/FPC (1-30)	
R253	NRSA63J-0R0X	MG RESISTOR	0Ω 1/16W J		CN201	QGF1038F2-11X	CONNECTOR	FFC/FPC (1-11)	
R254	NRSA63J-103X	MG RESISTOR	10kΩ 1/16W J		CN202	QGF0523F2-05W	CONNECTOR	FFC/FPC (1-5)	
R255	NRSA63J-203X	MG RESISTOR	20kΩ 1/16W J		CN401	QGF0534F3-60X	CONNECTOR	FFC/FPC (1-60)	
R256	NRSA63J-470X	MG RESISTOR	47Ω 1/16W J		CN402	QGF0522F3-06W	CONNECTOR	FFC/FPC (1-6)	
R257	NRSA63J-0R0X	MG RESISTOR	0Ω 1/16W J		K101	NQR0007-002X	FERRITE BEADS		
R258	NRSA63J-103X	MG RESISTOR	10kΩ 1/16W J		K102	NQR0007-002X	FERRITE BEADS		
R259	NRSA63J-103X	MG RESISTOR	10kΩ 1/16W J		K301	NQR0502-001X	FERRITE BEADS		
R260	NRSA63J-470X	MG RESISTOR	47Ω 1/16W J		K311	NQR0129-002X	FERRITE BEADS		
R300	NRSA63J-0R0X	MG RESISTOR	0Ω 1/16W J		K312	NQR0129-002X	FERRITE BEADS		
R301	NRSA63J-0R0X	MG RESISTOR	0Ω 1/16W J		K399	NQR0502-001X	FERRITE BEADS		
R303	NRSA63J-270X	MG RESISTOR	27Ω 1/16W J		K401	NQR0022-005X	FERRITE BEADS		
R304	NRSA63J-103X	MG RESISTOR	10kΩ 1/16W J		K402	NQR0022-005X	FERRITE BEADS		
R306	NRSA63J-102X	MG RESISTOR	1kΩ 1/16W J		K404	NQR0022-005X	FERRITE BEADS		
R307	NRSA63J-102X	MG RESISTOR	1kΩ 1/16W J		K405	NQR0022-005X	FERRITE BEADS		
R308	NRSA63J-223X	MG RESISTOR	22kΩ 1/16W J		K406	NQR0022-005X	FERRITE BEADS		
R309	NRSA63J-104X	MG RESISTOR	100kΩ 1/16W J		K407	NQR0022-005X	FERRITE BEADS		
R310	NRSA63J-102X	MG RESISTOR	1kΩ 1/16W J		K421	NQR0022-005X	FERRITE BEADS		
R312	NRSA63J-0R0X	MG RESISTOR	0Ω 1/16W J		K422	NQR0022-005X	FERRITE BEADS		
R313	NRSA63J-0R0X	MG RESISTOR	0Ω 1/16W J		K423	NQR0022-005X	FERRITE BEADS		
R314	NRSA63J-0R0X	MG RESISTOR	0Ω 1/16W J		K424	NQR0022-005X	FERRITE BEADS		
R315	NRSA63J-0R0X	MG RESISTOR	0Ω 1/16W J		K425	NQL093K-1R8X	COIL	1.8uH K	
R316	NRSA63J-0R0X	MG RESISTOR	0Ω 1/16W J		K426	NRSA63J-0R0X	MG RESISTOR	0Ω 1/16W J	
R317	NRSA63J-223X	MG RESISTOR	22kΩ 1/16W J		K427	NRSA63J-0R0X	MG RESISTOR	0Ω 1/16W J	
R318	NRSA63D-332X	MG RESISTOR	3.3kΩ 1/16W D		K428	NRSA63J-0R0X	MG RESISTOR	0Ω 1/16W J	
R319	NRSA63J-223X	MG RESISTOR	22kΩ 1/16W J		K430	NRSA63J-101X	MG RESISTOR	100Ω 1/16W J	
R320	NRSA63J-101X	MG RESISTOR	100Ω 1/16W J		K431	NRSA63J-101X	MG RESISTOR	100Ω 1/16W J	
R322	NRSA63J-103X	MG RESISTOR	10kΩ 1/16W J		K432	NRSA63J-0R0X	MG RESISTOR	0Ω 1/16W J	
R323	NRSA63J-0R0X	MG RESISTOR	0Ω 1/16W J		K433	NRSA63J-181X	MG RESISTOR	180Ω 1/16W J	
R332	NRSA63J-102X	MG RESISTOR	1kΩ 1/16W J		K435	NQR0022-005X	FERRITE BEADS		
R333	NRSA63D-162X	MG RESISTOR	1.6kΩ 1/16W D		K441	NQR0022-005X	FERRITE BEADS		
R334	NRSA63J-151X	MG RESISTOR	150Ω 1/16W J		K451	NQR0022-005X	FERRITE BEADS		
R335	NRSA63J-151X	MG RESISTOR	150Ω 1/16W J		K452	NQR0022-005X	FERRITE BEADS		
R336	NRSA63J-151X	MG RESISTOR	150Ω 1/16W J		K461	NQR0022-005X	FERRITE BEADS		
R337	NRSA63J-151X	MG RESISTOR	150Ω 1/16W J		K462	NQR0022-005X	FERRITE BEADS		
R338	NRSA63J-0R0X	MG RESISTOR	0Ω 1/16W J		K601	NQR0022-005X	FERRITE BEADS		
R339	NRSA63J-0R0X	MG RESISTOR	0Ω 1/16W J		SW4	NSW0184-001X	DETECT SW		
R340	NRSA63D-303X	MG RESISTOR	30kΩ 1/16W D		SW5	NSW0183-001X	DETECT SW		
R346	NRSA63J-473X	MG RESISTOR	47kΩ 1/16W J		TH491	NAD0025-103X	N THERMISTOR	10kΩ	
R347	NRSA63J-473X	MG RESISTOR	47kΩ 1/16W J		X351	NAX0730-001X	CRYSTAL	27.000MHz	
R348	NRSA63J-473X	MG RESISTOR	47kΩ 1/16W J						
R349	NRSA63J-473X	MG RESISTOR	47kΩ 1/16W J						
R351	NRSA63J-102X	MG RESISTOR	1kΩ 1/16W J						
R352	NRSA63J-105X	MG RESISTOR	1MΩ 1/16W J						
R353	NRSA63J-101X	MG RESISTOR	100Ω 1/16W J						
R354	NRSA63J-101X	MG RESISTOR	100Ω 1/16W J						
R362	NRSA63J-0R0X	MG RESISTOR	0Ω 1/16W J						
R363	NRSA63J-151X	MG RESISTOR	150Ω 1/16W J						
R364	NRSA63J-151X	MG RESISTOR	150Ω 1/16W J						
R365	NRSA63D-911X	MG RESISTOR	910Ω 1/16W D						
R366	NRSA63D-202X	MG RESISTOR	2kΩ 1/16W D						
R370	NRSA63J-103X	MG RESISTOR	10kΩ 1/16W J						
R371	NRSA63J-0R0X	MG RESISTOR	0Ω 1/16W J						
R372	NRSA63J-331X	MG RESISTOR	330Ω 1/16W J						
R373	NRSA63J-331X	MG RESISTOR	330Ω 1/16W J						
R374	NRSA63J-0R0X	MG RESISTOR	0Ω 1/16W J						
R380	NRSA63J-102X	MG RESISTOR	1kΩ 1/16W J						
R384	NRSA63J-102X	MG RESISTOR	1kΩ 1/16W J						
R385	NRSA63J-102X	MG RESISTOR	1kΩ 1/16W J						
R386	NRSA63J-0R0X	MG RESISTOR	0Ω 1/16W J						
R390	NRSA63J-103X	MG RESISTOR	10kΩ 1/16W J						
R396	NRSA63J-473X	MG RESISTOR	47kΩ 1/16W J						
R399	NRSA63J-0R0X	MG RESISTOR	0Ω 1/16W J						
R403	NRSA63J-0R0X	MG RESISTOR	0Ω 1/16W J						
R405	NRSA63J-0R0X	MG RESISTOR	0Ω 1/16W J						
R481	NRSA63J-103X	MG RESISTOR	10kΩ 1/16W J						
R491	NRSA63D-472X	MG RESISTOR	4.7kΩ 1/16W D						
R492	NRSA63J-0R0X	MG RESISTOR	0Ω 1/16W J						
R618	NRSA63J-181X	MG RESISTOR	180Ω 1/16W J						
R619	NRSA63J-181X	MG RESISTOR	180Ω 1/16W J						
R620	NRSA63J-181X	MG RESISTOR	180Ω 1/16W J						
L303	NQL044K-100X	COIL	0.26Ω 10uH K						
L305	NQR0129-002X	FERRITE BEADS							
L306	NQR0129-002X	FERRITE BEADS							
L307	NQR0129-002X	FERRITE BEADS							
L451	NQL044K-100X	COIL	0.26Ω 10uH K						

<MEMO>

Packing materials and accessories parts list

Block No. **M 3 M M**

No additional / supplemental order of WARRANTY CARDS are available.



Packing and Accessories

Block No. [M][3][M][M]

△ Symbol No.	Part No.	Part Name	Description	Local
A 1	LVT1454-001A	INST BOOK	ENG SPA FRE	J
A 1	LVT1455-001A	INST BOOK	ENG GER FRE DUT	E
A 1	LVT1455-003A	INST BOOK	ENG SPA FRE	EU
A 1	LVT1455-005A	INST BOOK	ENG RUS	EE
A 1	LVT1456-001A	INST BOOK	ENG CHA(TAIWAN) THA	U
A 1	LVT1456-004A	INST BOOK	ENG INA	UN
A 1	LVT1456-003A	INST BOOK	ENG	A
A 2	LVT1454-002A	INSTALL MANUAL		J
A 2	LVT1455-006A	INSTALL MANUAL		E
A 2	LVT1455-008A	INSTALL MANUAL		EU
A 2	LVT1456-007A	INSTALL MANUAL		U
A 2	LVT1456-009A	INSTALL MANUAL		UN
A 2	LVT1456-008A	INSTALL MANUAL		A
A 3	VKZ4027-202	PLUG NUT		
A 4	VKH4871-003	MOUNT BOLT		
A 5	VKZ4328-003	LOCK NUT		
A 6	QYWSS50A010ZA	WASHER	0.1mm/5mm x	
A 7	GE40130-002A	HOOK	(x2)	
A 8	LV41478-002A	CORD CONNECTOR	(x2)	
A 9	RM-RK240	REMOCON		
A 10	-----	BATTERY		
A 11	GE20137-003A	MOUNTING SLEEVE		
A 12	LV22277-001A	TRIM		
A 13	LV35787-001A	HARD CASE ASSY		
A 14	QAM0701-002	CAR CABLE		J,U,UN,A
A 14	QAM0700-002	CAR CABLE		E,EU,EE
A 15	LVT1455-002A	INST BOOK	SPA ITA SWE	E
A 15	LVT1455-004A	INST BOOK	TUR PER	EU
A 15	LVT1456-002A	INST BOOK	KOR ARA PER	U
A 16	LVT1455-007A	INSTALL MANUAL		E
A 16	LVT1455-009A	INSTALL MANUAL		EU
A 16	LVT1455-010A	INSTALL MANUAL		EE
A 16	LVT1456-006A	INSTALL MANUAL		U
A 17	LVT1573-001A	INST SHEET		J
A 18	BT-51034-2	REGISTRATION CARD		J
A 19	-----	WARRANTY CARD	BT-51018-4	J
A 20	-----	WARRANTY CARD	BT-52006-2	J
A 21	LVT0717-001B	TROUBLE SHEET(C		J
A 22	-----	WARRANTY CARD	BT-54028-1	E,EU,EE
A 23	VND3050-002	IDENTITY CARD		E
A 24	VND3046-001	SERIAL TICKET		E,EU,EE
A 25	LVT1435-001A	INST SHEET		E,EU
KIT	SRW-AVX2E	SCREW PARTS KIT	A3 A4 A5 A6 A7 A8	
P 1	LV36752-001A	CARTON		J
P 1	LV36753-001A	CARTON		E,EU
P 1	LV36756-001A	CARTON		EE
P 1	LV36755-001A	CARTON		U,UN
P 1	LV36754-001A	CARTON		A
P 2	FSPG4002-001	POLY BAG	(x2)	J,U
P 2	QPA01803205P	POLY BAG	18cm x 32cm(x2)	E,EU
P 2	FSPG4002-001	POLY BAG		EE,UN,A
P 3	QPA00801205	POLY BAG	8cm x 12cm	
P 4	FSYH4036-068	SHEET		
P 5	QPA01003003	POLY BAG	10cm x 30cm	
P 6	QPC03004315P	POLY BAG	30cm x 43cm	
P 7	LV11236-001A	CUSHION (L)		
P 8	LV11237-001A	CUSHION (R)		
P 9	LV22311-001A	CUSHION (M)		